



## HB2 - HIGH BAY

### Typology

Suspension fixture for installations in large commercial and industrial spaces; uses SMD technology.  
Also available in a DALI version.

### Features

It is composed of an independent power supply system connected to the body of the fixture with small columns for improved thermal management.  
The optical unit is integrated into the aluminium body for perfect heat dissipation.  
The fixture body can be completed with an aluminium or polycarbonate reflector to obtain a different aesthetic and antiglare effect.

### Installation

Equipped with a mounting ring for suspension installation.  
For ceiling or wall installation order the accessory code that comprises the bracket and the relative accessories.

### Material

Grooved die-cast aluminium for heat dissipation.

### Applications

Professional lighting ideal for industrial environments and large indoor spaces.

### Beam

Optical system consisting of an array of lens optimised for SMDs.  
Different opening angle depending on the model.

### Notes

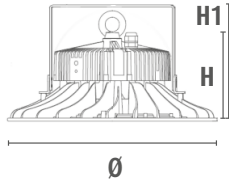
Optimised design to maximise heat exchange.

220-240 Vac	Ra >80		50000 h	IP65	IK08	Free Wire	-25°C +45°C	RG1	<b>PRO</b>
		G5h24							

### Characteristic data

Power	150 W	Beam	90°	Dimmable	Yes	Input	220-240 Vac
Base	Free Wire	IP	65	Flux	23000 lm	PF	0,92
Tc	4000 K	Ra	>80	LED Warranty	G5h24	Axis	11200 cd
IK	IK08	RG	RG1				

## Dimensional characteristics



Ø	305 mm
H	150 mm
H2	182 mm

## Lighting and photometric features

Beam opening	90°
Flux	23000 lm
CCT nominal colour temperature	4000 K
Colour of the light	Natural light
Colour rendering index	>80
Lifespan	50000 h
LED lifespan	L70B20

## Electrical characteristics

Rated power	150 W
Input voltage	220-240 Vac
Frequency	50-60 Hz
Dimmable	Yes
Power factor (PF)	0,92
Weighted energy consumption	150 kWh/1000h
Number of cycles	100000
Operating temperature	-25°C / +45°C

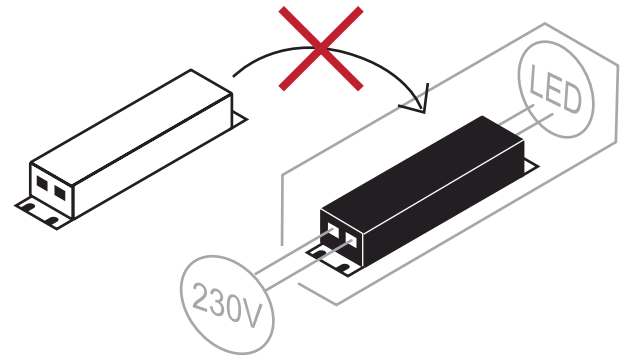
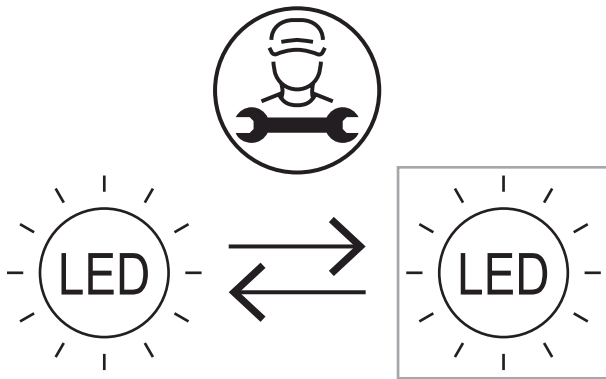
## Photometry

	4000K	H(m)	D(m)	E <sub>max</sub> (lx)	
	Ra80		81°		
Fixture Power	150W	1	1.72	12228	
Source Flux	23000lm	2	3.43	3057	
Fixture Flux	23000lm	3	5.15	1359	
Efficacy	153lm/W	4	6.87	764	
941017 I <sub>max</sub> =534cd/klm	I <sub>max</sub>	12276cd	5	8.59	489

EulumDat file on the site

## Other Infotech

Flicker Free	Yes
Light source replaceability	Replaceable (LED only) light source by a professional.
Control gear replaceability	Non-replaceable control gear.



### LED Warranty

G5h24	Full Guarantee 5 years (24h/24h) Without limitations on the duration of use for the first year, provided the observance of the installation conditions.
-------	---------------------------------------------------------------------------------------------------------------------------------------------------------------

### European Directives

2009/125/EC \* Ecodesign  
 2011/65/EU \* RoHS  
 2012/19/EU \* RAEE  
 2014/30/EU \* EMC (Compatibilità Elettromagnetica)  
 2014/35/EU \* LVD (Bassa Tensione)  
 2015/863 \* Amending RoHS  
 2017/1369 \* Regulation for Energy Labelling  
 2019/2015 \* Regulation for Energy Labelling  
 2019/2020 \* Regulation for Ecodesign  
 2021/340 \* Amending Reg. Energy Labelling  
 2021/341 \* Amending Reg. Ecodesign

### Product standards

CEI EN 55015:2020 (+A11:2020)  
 CEI EN 60598-1:2022  
 CEI EN 60598-2-1:2022  
 CEI EN 61000-3-2:2019 (+A1:2021)  
 CEI EN 61000-3-3:2014 (+EC1:2014/+EC2:2016/+A1:2021/+A2:2022)  
 CEI EN 61547:2010  
 CEI EN 62031:2021 (+A11:2022)  
 CEI EN 62471:2010  
 IEC/TR 62471-2:2009  
 CEI EN 62493:2015  
 CEI 34-141:2014

### Logistics data

Item net weight	3200 gr
Barcode single item	8011905941000
Minimum order quantity	1