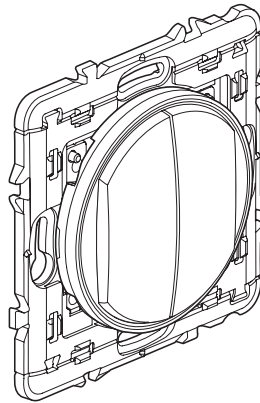


## Wireless and batteryless double lighting control

Catalogue number(s) : 0 677 24L/74L/80L  
 0 770 54L - 6 000 88L  
 5 742 89/96 - 5 743 25 - 5 748 38  
 7 418 12L/42L/72L



### 1. USE

Wireless control, batteryless, for double ON/OFF lighting function.  
 Controls the connected lighting micromodules, socket-outlets and dimmer-switches.

- Can be used as double 2 ways switch or group lighting control.
- Can be fixed directly to a wall, screwed to an electric flush mounting box or placed on a cabinet.
- Can be combined in multigangs with other wiring devices except in Arteor.
- Can control up to 20 connected products

### 2. RANGE

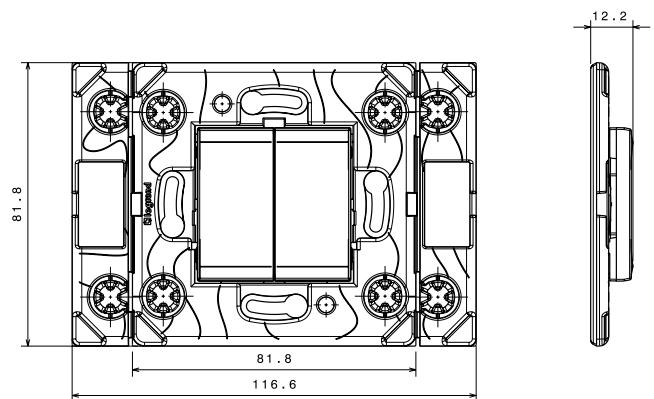
Delivered without plate.

Equipped with a button used to configure the product.

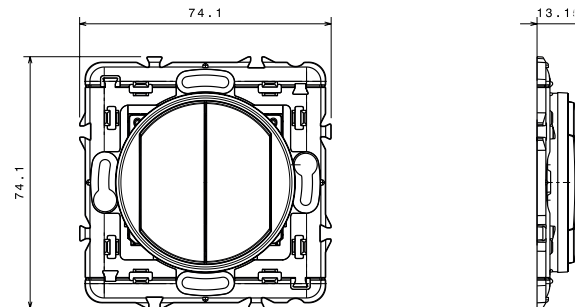
Repositionable self-adhesive stickers (x2 supplied)

RANGE	COLOR	CAT. NUMBER
CELIANE	White	0 677 24L
CELIANE	Titanium	0 677 74L
CELIANE	Graphite	0 677 80L
MOSAIC	White	0 770 54L
DOOXIE	White	6 000 88L
ARTEOR	Aluminium	5 742 96
ARTEOR	White	5 742 89
ARTEOR	Champagne	5 748 38
ARTEOR	Magnesium	5 743 25
VALENA NEXT	White	7 418 12L
VALENA NEXT	Aluminium	7 418 42L
VALENA NEXT	Black	7 418 72L

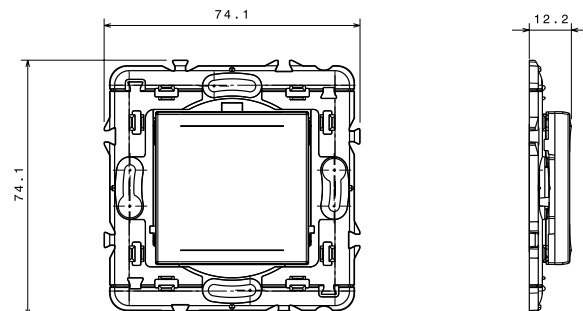
### 3. DIMENSIONS (MM)



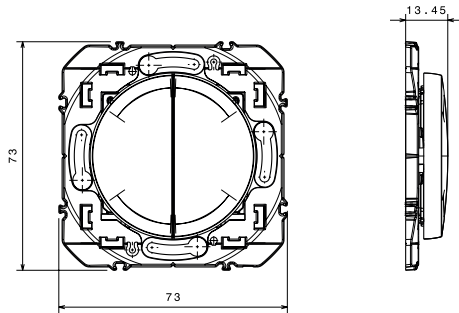
ARTEOR



CELIANE

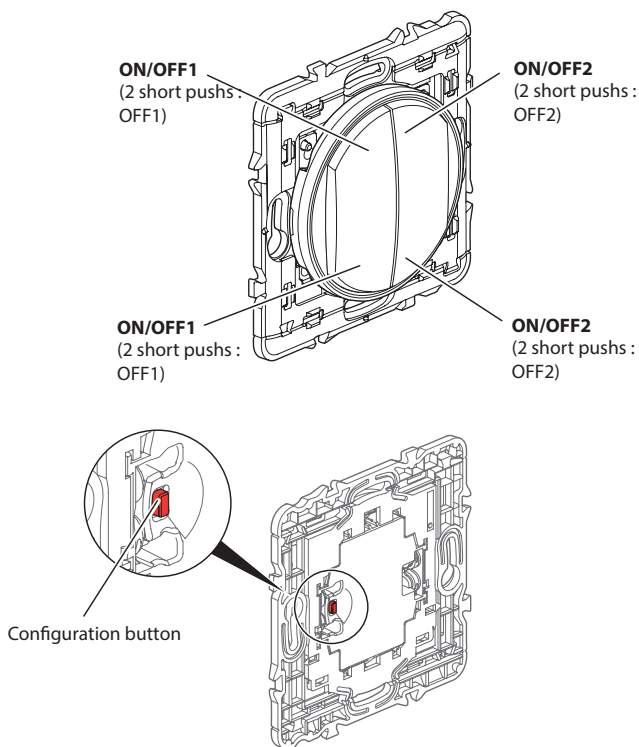


MOSAIC/VALENA NEXT



**DOOXIE**

## 4. OPERATION



## 5. TECHNICAL CHARECTERISTICS

### 5.1 Mechanical characteristics

Impact protection : IK 02  
 Protection again solid/liquid bodies : IP 20 without plate  
 IP 40 assembled product

### 5.2 Material caractéristiques

Handle :  
 white : ABS  
 Color : ABS + paint  
 Mechanism box with support : Charged PC 10 % fiberglass  
 Halogen free  
 UV resistant  
 Self-extinguishing : 650° C / 30 s

### 5.3 Electrical characteristics

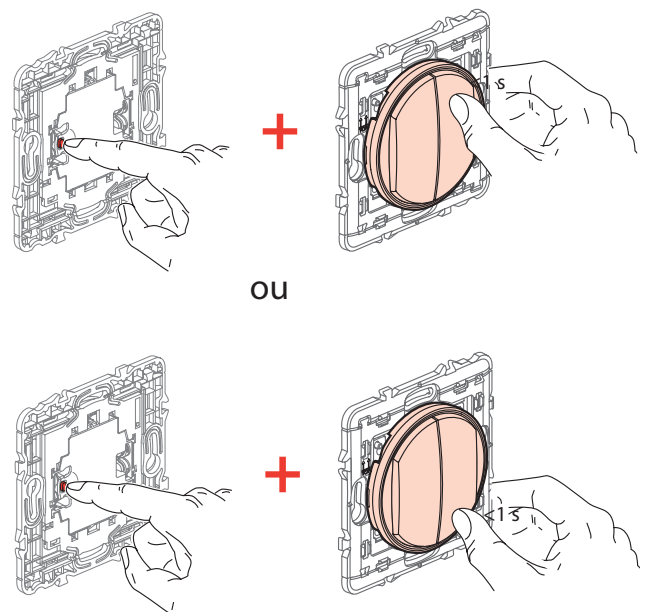
Self powered  
 Radio technology zigbee frequency 2,4 GHz to 2,4835 GHz  
 RADIO Performance : Minimum range 150 m in point-to-point link and free field  
 Power level : < 20 mW  
 Zigbee Canal by default : 11  
 Technology: Zigbee PRO Certified, Green Power feature (bidirectional communication : not supported).

### 5.4 Climatic characteristics

Use temperature : + 5° C to + 45° C  
 Storage temperature : 0° C to + 45° C

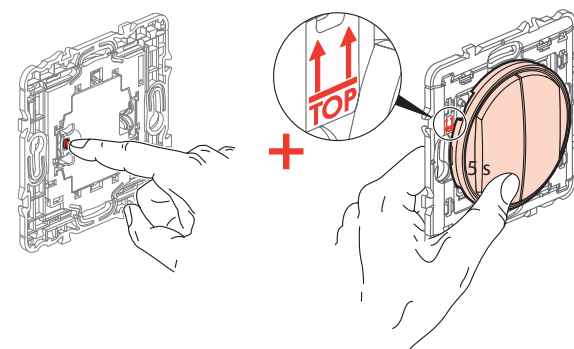
## 6. PROGRAMMATION

### 6.1 ASSOCIATION



While holding the «setup» button on the wireless, batteryless control, briefly press the «ON» or «OFF» button of the chosen side (1 or 2) on the wireless batteryless control.

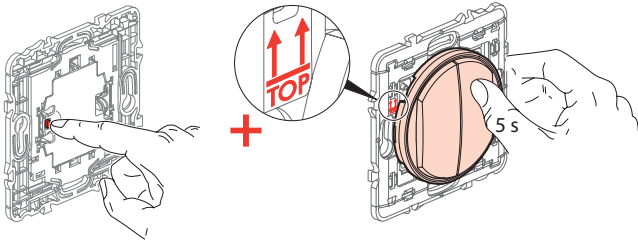
### 6.2 CHANNEL CHANGE



While holding the «setup» button on the wireless, batteryless control, press the lower button on the wireless batteryless control for 5 seconds.

Details and order of channel changes : (**FACTORY : 11**) 15, 20, 25, 12, 13, 14, 16, 17, 18, 19, 21, 22, 23, 24, 26, 11, 15, 20, ...

## 6.3 BACK IN FACTORY MODE (DISASSOCIATION + BACK ON CHANNEL 11)



While holding the «setup» button on the wireless, batteryless control, press the upper button for 5 seconds. Check that your control is correctly reset by making an «ON» command, then «OFF».

Additional Zigbee documentation is available at «[developer.legrand.com](http://developer.legrand.com)».

## 7. CARE

Clean the surface with a cloth.

Do not use acetone, tar-removing cleaning agents or trichloroethylene.

Resistant to the following products: Hexane (EN 60669-1), methylated spirit, soapy water, diluted ammonia, bleach diluted to 10%, window-cleaning products, pre-impregnated wipes.

**Caution :** Always test before using special cleaning products, a prior test is required

Must not be painted.

## 8. ACCESSORIES

0 648 71: Repositionable adhesive for wireless control

## 9. STANDARDS AND APPROVALS

The undersigned, LEGRAND, declares that the radio-electric equipment type (0 677 24L/74L/80L - 0 770 54L - 6 000 88L - 5 742 89/96 - 5 743 25 - 5 748 38 - 7 418 12L/42L/72L) complies with directive 2014/53/EU.

The full text of the EU declaration of conformity is available on the following website: [www.legrandoc.com](http://www.legrandoc.com)



Model : ZLGP17