



SLIMFLUX BL UGR - PRO

Typology

Direct lighting LED panel.

Features

The positioning of the LED sources on a horizontal plate ensures lighting uniformity on the screen surface and excellent efficiency levels. The backlit panel is composed of a metal material back compartment providing a heat sink function.

Equipped with special PMMA primary lenses, the LED sources positioned on a horizontal plate ensure lighting uniformity on the diffuser surface and ensure excellent efficiency levels.

Colour rendering: Ra>80 or Ra>90.

Installation

Consider more depth for recessed installations.

Material

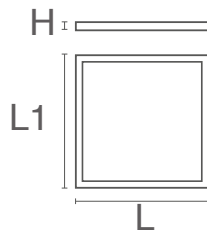
Painted white aluminium body; high-transmittance PMMA primary optics.

220-240 Vac	Ra >80		25000 h	IP20 VI IP43 VO	Free Wire	-20°C +45°C	RG0	UGR <19	BASIC
	G2								

Characteristic data

Power	40 W	Dimmable	No	Input	220-240 Vac	Base	Free Wire
IP	20	Optical compartment IP	43	Flux	4000 lm	PF	>0,9
UGR	<19	Tc	4000 K	Ra	>80	LED Warranty	G2
RG	RG0						

Dimensional characteristics



L	595 mm
L1	595 mm
H	25 mm

Lighting and photometric features

Flux	4000 lm
CCT nominal colour temperature	4000 K
Colour of the light	Natural light
Colour rendering index	>80
Lifespan	25000 h
LED lifespan	L70B20
Trigger time	<0,2 s
Heating time up to 60% of full efficiency	Instant Full Light
UGR	<19

Electrical characteristics

Rated power	40 W
Input voltage	220-240 Vac
Frequency	50-60 Hz
Dimmable	No
Power factor (PF)	>0,9
Operating temperature	-20°C / +45°C

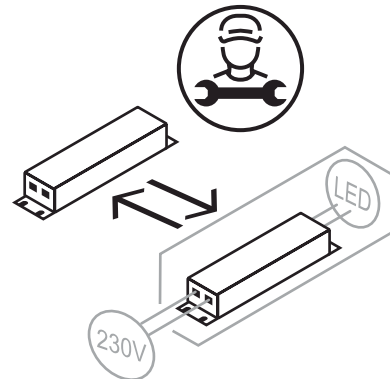
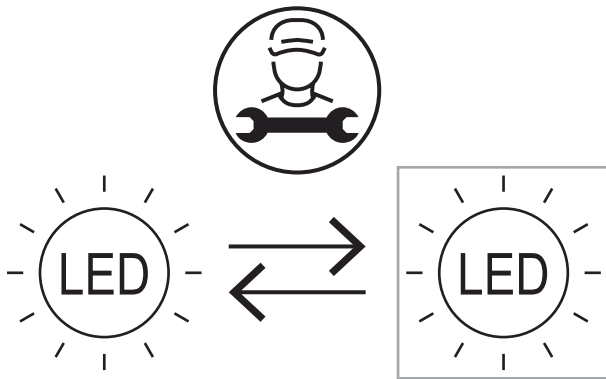
Photometry

	4000K	H(m)	D1(m)	D2(m)	E _{max} (lx)		
	Ra40		85°	93°			
	Fixture Power	40W	1	1.82	2.10	1888	
	Source Flux	4000lm	2	3.64	4.20	472	
	Fixture Flux	4000lm	3	5.46	6.30	210	
	Efficacy	100lm/W	4	7.29	8.40	118	
	I _{max} =472cd/klm	I _{max}	1888cd	5	9.11	10.50	76

EulumDat file on the site

Other Infotech

Flicker Free	Yes
Light source replaceability	Replaceable (LED only) light source by a professional.
Control gear replaceability	Replaceable control gear by a professional.



LED Warranty

G2	Up to 2 years (4000h/year) *4000h = 11h a day x 365 days. Without limitations on the duration of use for the first year, provided the observance of the installation conditions.
----	--

European Directives

2009/125/EC * Ecodesign
 2011/65/EU * RoHS
 2012/19/EU * RAEE
 2014/30/EU * EMC
 2014/35/EU * LVD
 2015/863 * Amending RoHS
 2017/1369 * Regulation for Energy Labelling
 2019/2015 * Regulation for Energy Labelling
 2019/2020 * Regulation for Ecodesign
 2021/340 * Amending Reg. Energy Labelling
 2021/341 * Amending Reg. Ecodesign

Product standards

CEI EN 55015:2020 (+A11:2020)
 CEI EN 60598-1:2022
 CEI EN 60598-2-1:2022
 CEI EN 61000-3-2:2019 (+A1:2021)
 CEI EN 61000-3-3:2014 (+EC1:2014/+EC2:2016/+A1:2021/+A2:2022)
 CEI EN 61547:2010
 CEI EN 62031:2021 (+A11:2022)
 CEI EN 62471:2010
 IEC/TR 62471-2:2009
 CEI EN 62493:2015
 CEI 34-141:2014

Logistics data

Item net weight	1480 gr
Barcode single item	8011905001117
Number of pieces multiple pack	6
Minimum order quantity	6
Minimum packaging	6