

# PRODUCT DATASHEET

## SMART+ Wifi Flare Wall RGB + W

Smart+ Flare Multicolor | Luminaires with WiFi technology



### Areas of application

- General illumination
- Gardens
- Patios, balconies

### Product benefits

- Easy and quick installation
- Colorful garden lighting with smart and intelligent control options

### Product features

- Controllable via LEDVANCE SMART+ App (with minimum Android 8.0 or iOS 14.0)
- Controllable via voice control available: Google Assistant or Amazon Alexa
- RGB color control, approx. 16 million color options adjustable
- Dimmable
- Color temperature: 3,000 K (Warm White)
- Network protocol: WiFi
- Type of protection: IP44



---

## TECHNICAL DATA

### Electrical data

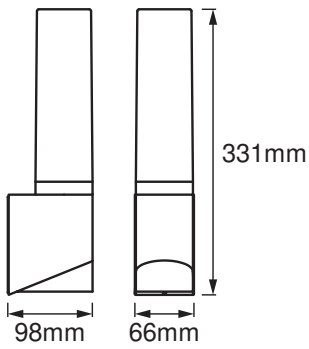
Nominal wattage	7.50 W
Nominal voltage	220...240 V
Mains frequency	50...60 Hz
Power factor $\lambda$	> 0.5
Total harmonic distortion	$\leq$ 20 %
Protection class	I
Operating mode	Mains voltage

### Photometrical data

Luminous flux	320 lm
Total luminous flux of contained light sources	570 lm
Luminous efficacy	43 lm/W
Color temperature	3000 K
Light color (designation)	RGBW
Color rendering index Ra	$\geq$ 80
Standard deviation of color matching	< 6 sdcn
Photobiological safety group acc. to EN62778	RG0
Photobiological safety group acc. to EN62471	RG0
Beam angle	230.00 °

### Dimensions & Weight

Length	98.00 mm
Width	66.00 mm
Height	331.00 mm
Product weight	900.00 g



SMART OUTD WIFI FLARE WALL

### Materials & Colors

Product color	Dark gray
Housing color	Dark gray
Body material	Aluminum
Cover material	Polycarbonate (PC)
Glow Wire Test according to IEC 60695-2-12	650 °C

### Application & Mounting

Ambient temperature range	-20...+40 °C
Type of connection	Terminal, 3-Pole (L, N, PE)
Type of protection	IP44
Protection class IK (shock resistance)	IK03
Dimmable	Yes
Type of dimming	WiFi
Mounting type	Surface
Mounting location	Wall
Application environment	Outdoor
LED module replaceable	Not replaceable
With light source	No

### Lifespan

Lifespan L70/B50 at 25 °C	25000 h
Number of switching cycles	12500

### Certificates & Standards

Standards	CE / EAC / UKCA
Luminaire with limited surface temperature, "D sign"	No





### Additional product data

Product remark	Reset settings to default by switching the product on for three seconds and off for three seconds and repeating this five times.
----------------	--

### EQUIPMENT / ACCESSORIES

- Mounting screws and dowels included
- Control via app or voice control requires compatible Smart home system
- For control via LEDVANCE SMART+ App, a smartphone or tablet is required (with minimum Android 8.0 or iOS 14.0)

### DOWNLOAD DATA

	Documents and certificates	Document name
	User Instruction	SMART OUTD WIFI FLARE
	Legal information	Legal insert
	Declarations of conformity	CE_SMART OUTD WIFI FLARE WALL RGBW DG
	Declarations Of Conformity UKCA	SMART WIFI

### LOGISTICAL DATA

Product code	Packaging unit (Pieces/Unit)	Dimensions (length x width x height)	Gross weight	Volume
4058075478275	Folding box 1	117 mm x 87 mm x 354 mm	979.00 g	3.60 dm <sup>3</sup>
4058075478282	Shipping box 4	368 mm x 248 mm x 199 mm	4321.00 g	18.16 dm <sup>3</sup>

The mentioned product code describes the smallest quantity unit which can be ordered. One shipping unit can contain one or more single products. When placing an order, for the quantity please enter single or multiples of a shipping unit.

### References / Links

- Further information and frequently asked questions (FAQs) at [www.ledvance.com/consumer/smart/faq](http://www.ledvance.com/consumer/smart/faq)

### DISCLAIMER

Subject to change without notice. Errors and omission excepted. Always make sure to use the most recent release.