

PRODUCT DATASHEET

Smart+ Wifi Ball Magic Mini RGBW USB

SMART+ BALL MAGIC RGB | Smart+ moodlights



Areas of application

- Indoor applications
- Kitchens, living rooms, children's rooms or home offices

Product benefits

- Easy and quick installation
- Homogenous light distribution

Product features

- Network protocol: WiFi
- Smart control for adjustable color temperature and RGB color control
- Controllable via LEDVANCE SMART+ App (with minimum Android 8.0 or iOS 14.0)
- Music rhythm function: With behalf of the Smart Wi-Fi App and integrated voice-receivers the Luminaire reacts to sound and music
- RGB color control, approx. 16 million color options adjustable
- USB connection
- Dimmable



TECHNICAL DATA

Electrical data

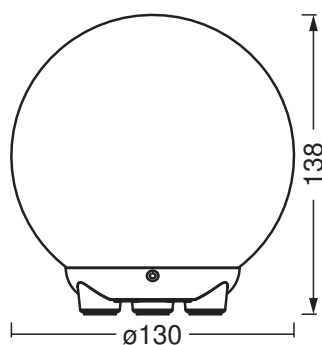
Nominal wattage	2.50 W
Nominal voltage	5 V
Nominal current	500.000 mA
Protection class	III
Operating mode	Electronic control gear (ECG)

Photometrical data

Luminous flux	130 lm
Total luminous flux of contained light sources	160 lm
Luminous efficacy	52 lm/W
Color temperature	2200 ... 6500 K
Light color (designation)	Tunable White / RGB
Color rendering index Ra	> 80
Standard deviation of color matching	≤6 sdc _m
Photobiological safety group acc. to EN62778	RG0
Beam angle	200 °

Dimensions & Weight

Diameter	130.00 mm
Height	138.00 mm
Product weight	230.00 g
Cable length	1 m



SMART WIFI BALL MINI MGC
RGBW USB

Materials & Colors

Product color	White
Housing color	White
Body material	Polycarbonate (PC) Acrylonitrile butadiene styrene (ABS)
Cover material	Glass
Mercury content	0.0 mg

Application & Mounting

Ambient temperature range	-20...+40 °C
Temperature range at storage	-20...+80 °C
Type of connection	USB TYPE-A
Type of protection	IP20
Dimmable	Yes
Type of dimming	WiFi
Mounting type	Standing
Application environment	Indoor
Adjustable	No
LED module replaceable	Not replaceable
With light source	Yes

Lifespan

Lifespan L70/B50 at 25 °C	25000 h
Number of switching cycles	50000

Certificates & Standards

Standards	CE
-----------	----





Additional product data

Product remark	Reset settings to default by switching the product on for three seconds and off for three seconds and repeating this five times. / Available from March 2024
Number of illuminants	empty

EQUIPMENT / ACCESSORIES

- For control via LEDVANCE SMART+ App, a smartphone or tablet is required (with minimum Android 8.0 or iOS 14.0)
- Complete mounting and connecting accessories included
- USB cable, length: 1 m

DOWNLOAD DATA

Documents and certificates	Document name
 User Instruction	SMART WIFI BALL MAGIC
 Legal information	SMART WIFI BALL MAGIC USB
 Declarations of conformity	SMART WIFI BALL MAGIC RGBW USB
 Declarations Of Conformity UKCA	SMART WIFI BALL MAGIC RGBW USB

LOGISTICAL DATA

Product code	Packaging unit (Pieces/Unit)	Dimensions (length x width x height)	Gross weight	Volume
4058075831711	Folding box 1	162 mm x 162 mm x 168 mm	379.00 g	4.41 dm ³
4058075831728	Shipping box 8	340 mm x 340 mm x 363 mm	3489.00 g	41.96 dm ³

The mentioned product code describes the smallest quantity unit which can be ordered. One shipping unit can contain one or more single products. When placing an order, for the quantity please enter single or multiples of a shipping unit.

References / Links

– Further information and frequently asked questions (FAQs) at www.ledvance.com/consumer/smart/faq

DISCLAIMER

Subject to change without notice. Errors and omission excepted. Always make sure to use the most recent release.