

PRODUCT DATASHEET

TRACK SP REFLECTOR D75 FL

TRACKLIGHT SPOT REFLECTOR | Interchangeable reflector



Product benefits

- Reflector easily replaceable thanks to bayonet catch and rubber suction pad
- Clear cover protects the reflector against dust and contact
- High optical efficacy

Product features

- Accessory reflectors available in different beam angles

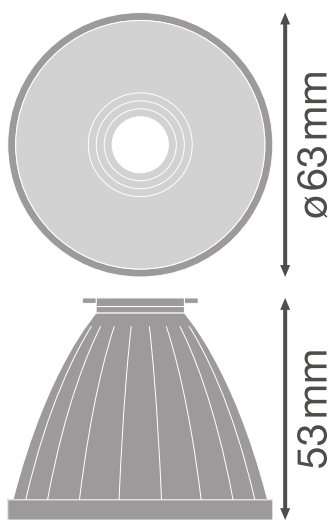


TECHNICAL DATA**Photometrical data**

Beam angle	38 °
------------	------

Dimensions & Weight

Diameter	63,0 mm
Height	53.0 mm
Product weight	24.00 g



TRACK SP REFLECTOR D75





Materials & Colors

Product color	Silver
Body material	Polycarbonate (PC)

Certificates & Standards

Luminaire with limited surface temperature, "D sign"	No
Ball shot safe	No

DOWNLOAD DATA

Documents and certificates		Document name
	User Instruction	UI Tracklight Spot
	Declarations of conformity	Attestation-of-Conformity Track SP LEDV
	Declarations of conformity	Attestation-of-Conformity Track SP TÜV
Tender texts		Document name
	Tender documents	TRACKLIGHT SPOT REFLECTOR D75 FL-EN

LOGISTICAL DATA

Product code	Packaging unit (Pieces/Unit)	Dimensions (length x width x height)	Gross weight	Volume
4058075113824	Folding box 1	70 mm x 70 mm x 60 mm	54.00 g	0.29 dm ³
4058075113831	Shipping box 4	157 mm x 87 mm x 145 mm	421.00 g	1.98 dm ³

The mentioned product code describes the smallest quantity unit which can be ordered. One shipping unit can contain one or more single products. When placing an order, for the quantity please enter single or multiples of a shipping unit.

DISCLAIMER

Subject to change without notice. Errors and omission excepted. Always make sure to use the most recent release.