

# PRODUCT DATASHEET

## Linear LED Mobile IR USB White

Linear LED MOBILE IR USB | Drawer and cabinet luminaires with IR sensor, recharging via USB

---

### Areas of application

- Kitchens
- Where light is required but a socket is not available



---

### Product benefits

- Can easily be moved to where light or sound is needed thanks to battery operation
- Easily removeable thanks to the magnetic fixing

---

### Product features

- Integrated rechargeable lithium battery which can be charged via USB cable
- 2 operating modes selectable
- Operating mode 1: Switch-on by movement in front of sensor
- Operating mode 2: Switch-on by opening of drawer or cabinet door



## TECHNICAL DATA

### Electrical data

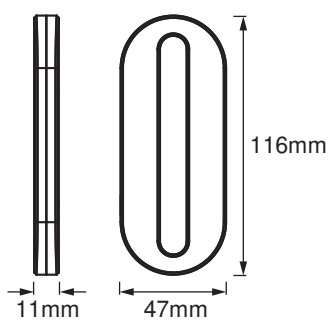
|   |            |
|---|------------|
| Nominal wattage   | 0.50 W     |
| Nominal voltage   | 4,2 V      |
| Mains frequency   | 0 Hz       |
| Nominal current   | 120.000 mA |
| Max. number of luminaires per miniature circuit breaker C10 | -          |
| Protection class  | III        |
| Operating mode  | Battery    |

### Photometrical data

|                                      |            |
|--------------------------------------|------------|
| Luminous flux                        | 20 lm      |
| Luminous efficacy                    | 13 lm/W    |
| Color temperature                    | 4000 K     |
| Light color (designation)            | Cool White |
| Color rendering index Ra             | 90         |
| Standard deviation of color matching | 6 sdcm     |
| Beam angle                           | 105 °      |

### Dimensions & Weight

|                |           |
|----------------|-----------|
| Length         | 116.00 mm |
| Width          | 11.00 mm  |
| Height         | 47.00 mm  |
| Product weight | 37.00 g   |



LINEAR LED MOBILE IR USB

## Materials & Colors

|                 |                                       |
|-----------------|---------------------------------------|
| Product color   | White                                 |
| Housing color   | White                                 |
| Body material   | Acrylonitrile butadiene styrene (ABS) |
| Mercury content | 0.0 mg                                |

## Application & Mounting

|                              |                    |
|------------------------------|--------------------|
| Ambient temperature range    | -10...+40 °C       |
| Temperature range at storage | -20...+40 °C       |
| Type of connection           | USB                |
| Type of protection           | IP20               |
| Dimmable                     | No                 |
| Mounting type                | Surface            |
| Mounting location            | Cabinet undersides |
| Application environment      | Indoor             |
| LED module replaceable       | Not replaceable    |
| With light source            | Yes                |

## Lifespan

|                           |                       |
|---------------------------|-----------------------|
| Lifespan L70/B50 at 25 °C | 25000 h <sup>1)</sup> |
|---------------------------|-----------------------|

<sup>1)</sup> t[h]: L70 / B50 @ 25 °C (Ta), t[h]: L80 / B10 @ 25 °C (Ta), t[h]: L90 / B10 @ 25 °C (Ta)

## Sensor

|                                  |                    |
|----------------------------------|--------------------|
| Type of sensor                   | Motion             |
| Sensor technology                | Infrared/Photocell |
| Detection range of motion sensor | 8 cm               |

## BATTERY

|                              |             |
|------------------------------|-------------|
| Type of Battery              | Lithium ion |
| Battery size [GMS]           | Others      |
| Number of included batteries | 1           |
| Nominal voltage of battery   | 3.7 V       |
| Nominal capacity of battery  | 330 mAh     |

## Certificates & Standards

|  |                 |
|--|-----------------|
| Standards  | CE / EAC / UKCA |
| Luminaire with limited surface temperature, "D sign" | No              |



---

## EQUIPMENT / ACCESSORIES

– Complete mounting and connecting accessories included

---

## DOWNLOAD DATA

| Documents and certificates   | Document name               |
|--|-----------------------------|
|  Declarations of conformity      | LINEAR LED MOBILE IR USB WT |
|  Declarations Of Conformity UKCA | LINEAR LED MOBILE IR USB WT |

---

## LOGISTICAL DATA

| Product code  | Packaging unit (Pieces/Unit) | Dimensions (length x width x height) | Gross weight | Volume               |
|---------------|------------------------------|--------------------------------------|--------------|----------------------|
| 4058075399747 | Blister<br>1                 | 140 mm x 14 mm x 195 mm              | 57.00 g      | 0.38 dm <sup>3</sup> |
| 4058075399754 | Shipping box<br>6            | 176 mm x 151 mm x 213 mm             | 460.00 g     | 5.66 dm <sup>3</sup> |
| 4058075401051 | Shipping box<br>96           |                                      |              |                      |

---

The mentioned product code describes the smallest quantity unit which can be ordered. One shipping unit can contain one or more single products. When placing an order, for the quantity please enter single or multiples of a shipping unit.

---

## DISCLAIMER

Subject to change without notice. Errors and omission excepted. Always make sure to use the most recent release.

---