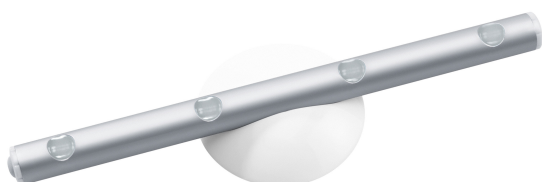


# PRODUCT DATASHEET

## LEDSTIXX 6500 K

LEDstixx® | Little helpers



---

### Areas of application

- Sideboards
- Flower arrangements
- Practical adhesive surface or drill holes
- Horizontal or vertical alignment on walls or objects

---

### Product benefits

- Very compact LED luminaire

---

### Product features

- Modern luminaire
- High-quality aluminum casing



TECHNICAL DATA

Electrical data

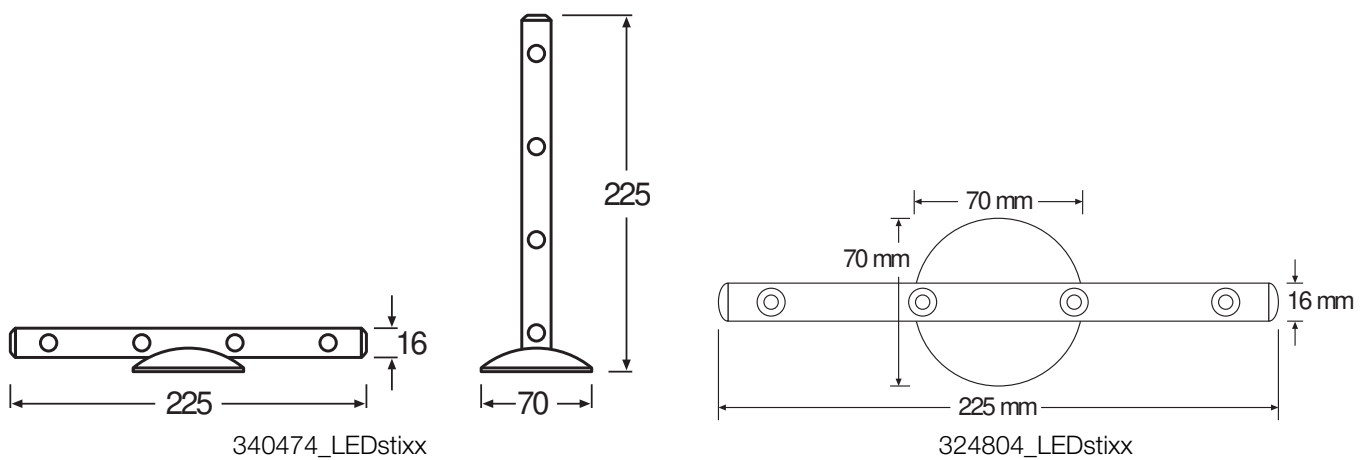
Nominal wattage	0.60 W
Nominal voltage	4,5 V
Mains frequency	0 Hz
Nominal current	120.000 mA
Max. number of luminaires per miniature circuit breaker C10	-
Protection class	III
Operating mode	Battery

Photometrical data

Luminous flux	25 lm
Luminous efficacy	42 lm/W
Color temperature	6500 K
Light color (designation)	Cool White
Color rendering index Ra	80
Standard deviation of color matching	≤6 sdc <sub>m</sub>

Dimensions & Weight

Length	222.00 mm
Width	16.20 mm
Height	22.00 mm
Product weight	94.00 g



## Materials & Colors

Product color	Silver
Housing color	Silver
Body material	Aluminum
Mercury content	0.0 mg

## Application & Mounting

Ambient temperature range	-20...+60 °C
Temperature range at storage	-20...+50 °C
Type of protection	IP20
Dimmable	No
Mounting type	Surface
Mounting location	Wall
Application environment	Indoor
LED module replaceable	Not replaceable
With light source	Yes

## Lifespan

Lifespan L70/B50 at 25 °C	10000 h <sup>1)</sup>
---------------------------	-----------------------

<sup>1)</sup> t[h]: L70 / B50 @ 25 °C (Ta), t[h]: L80 / B10 @ 25 °C (Ta), t[h]: L90 / B10 @ 25 °C (Ta)


## BATTERY


Type of Battery	Alkaline
Battery size [GMS]	AAA
Number of included batteries	3
Nominal voltage of battery	1.5 V

## Certificates & Standards

Standards	CE / UKCA
-----------	-----------

## DOWNLOAD DATA

Documents and certificates	Document name
 Legal information	Legal Insert LUNETTA

Documents and certificates	Document name
 Declarations of conformity	CE Declaration Ledstixx

## LOGISTICAL DATA

Product code	Packaging unit (Pieces/Unit)	Dimensions (length x width x height)	Gross weight	Volume
4058075227866	Role 1	72 mm x 72 mm x 280 mm	171.00 g	1.45 dm <sup>3</sup>
4058075227873	Shipping box 6	239 mm x 164 mm x 313 mm	1297.00 g	12.27 dm <sup>3</sup>
4058075227880	Shipping box 24	495 mm x 345 mm x 335 mm	6128.00 g	57.21 dm <sup>3</sup>

The mentioned product code describes the smallest quantity unit which can be ordered. One shipping unit can contain one or more single products. When placing an order, for the quantity please enter single or multiples of a shipping unit.

## DISCLAIMER

Subject to change without notice. Errors and omission excepted. Always make sure to use the most recent release.