

PRODUCT DATASHEET

ENDURA Classic Tradition 33cm E27 Gold

ENDURA® CLASSIC TRADITION ALU | Timeless lantern shape with aluminum housing



Areas of application

- Outdoor use (IP44)
- Building facades
- Entrance lighting
- Patios, balconies
- Pathway lighting
- Driveways

Product benefits

- High flexibility in the choice of the light source thanks to E27 socket
- Suitable for smart applications thanks to compatibility with Smart + lamps from LEDVANCE
- Easy and quick installation

Product features

- Die-cast aluminum housing
- Diffuser made of clear polycarbonate
- Available with and without motion sensor
- Available as wall and bollard luminaires



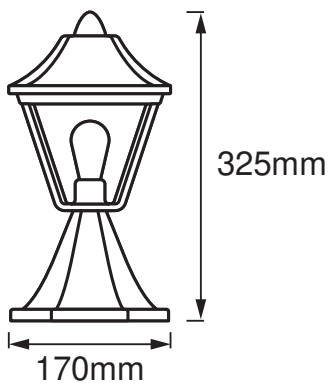
TECHNICAL DATA

Electrical data

Nominal voltage	220...240 V
Mains frequency	50...60 Hz
Protection class	I
Operating mode	Mains voltage

Dimensions & Weight

Length	170.00 mm
Width	170.00 mm
Height	325.00 mm
Product weight	555.00 g



ENDURA CLASSIC TRAD 33CM
ALU E27GD

Materials & Colors

Product color	Black/Gold
Housing color	Black/Gold
Body material	Aluminum
Mercury content	0.0 mg

Application & Mounting

Ambient temperature range	-20...+40 °C
Temperature range at storage	-20...+85 °C
Type of connection	Screw terminal

Type of protection	IP44
Dimmable	No
Mounting type	Standing
Mounting location	Floor
Application environment	Outdoor
With light source	No
Holder designation	E27

Certificates & Standards

Standards	CE / EAC / UKCA
-----------	-----------------




Additional product data

Product remark	Maximum bulb wattage: 60 W
Number of illuminants	1

EQUIPMENT / ACCESSORIES

- Complete mounting and connecting accessories included
- No light sources included

DOWNLOAD DATA

Documents and certificates	Document name
 User Instruction	ENDURA® Classic TRADITION 33 CM ALU E27
 Legal information	Legal insert I-Outdoor
 Declarations of conformity	CE Declaration Endura Classic Trad

LOGISTICAL DATA

Product code	Packaging unit (Pieces/Unit)	Dimensions (length x width x height)	Gross weight	Volume
4058075206342	Folding box 1	194 mm x 194 mm x 346 mm	622.00 g	13.02 dm ³
4058075206359	Shipping box 4	403 mm x 403 mm x 365 mm	3238.00 g	59.28 dm ³

The mentioned product code describes the smallest quantity unit which can be ordered. One shipping unit can contain one or more single products. When placing an order, for the quantity please enter single or multiples of a shipping unit.

DISCLAIMER

Subject to change without notice. Errors and omission excepted. Always make sure to use the most recent release.