



DATA SHEET	00009082
EPIC® ZYLIN R 3.0 B1	Valid from: 13.08.2015

Description

- Circular connectors with solder termination, 21-pin and 26-pin
- highest contact density at small space requirements
- Connector in solder version for easy maintenance



General Characteristics

Series	ZYLIN R 3.0
Version	Male/Female
Contacts	(Male/Female 1-21) (Female 1-26) (00009082/00009135) (00008978)
Pin configuration	Male E-part / Female P-part
Coding	N
Rated voltage (V)	24V AC / 60VDC
Rated impulse voltage	1,5 kV
Rated current (A)	7,5 A
Contact resistance	< 3 mOhm
Contacts	Copper alloy, gold plated
Number of contacts	21-pin / 26-pin
Termination methods	Solder termination: up to 1.0 mm ²
Cable clamping range	M3(4x)
Protection	IP 67 (maximum, dependant on cable gland used)
Cycle of mechanical operation	500
Temperature range	-40°C to +100°C, short-term up to +125°C

Materials and Surfaces

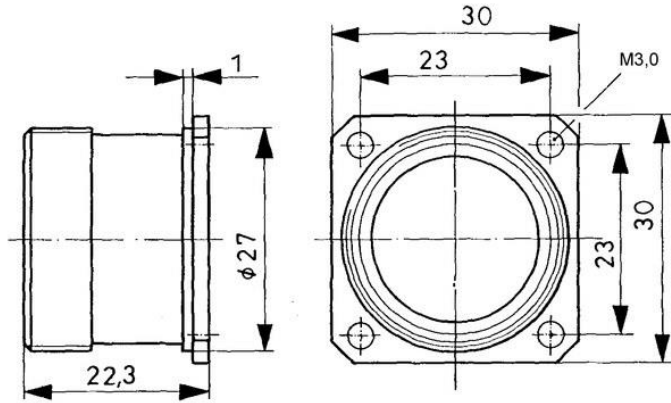
Housing	Nickel plated copper alloy
Insert	Thermoplastic
Sealing	Neoprene

Creator: MANU2/PDP Released: IVSE1/PDP	Document: DB00009082EN Version: 00	Page 1 of 2
---	---------------------------------------	-------------

We reserve all rights according to DIN ISO 16016.

DATA SHEET	00009082
EPIC® ZYLIN R 3.0 B1	Valid from: 13.08.2015

Technical Drawings



Corrosion-resistant



Industrial machinery and plant engineering



Mechanical resistance



Space requirement

Application range

Machine and equipment manufacturing
Measurement and control technology

Remark

The housing is available with male or female inserts. The contact photographs are not to scale and do not represent detailed images of the respective products.

Creator: MANU2/PDP Released: IVSE1/PDP	Document: DB00009082EN Version: 00	Page 2 of 2
---	---------------------------------------	-------------