

00009045	DATA SHEET	
Valid from: 23.05.2022	EPIC® SIGNAL R 3.0 D PG16	

Description

- Circular connectors with solder termination
- 21-pin and 26-pin
- highest contact density at small space requirements
- Connector in solder version for easy maintenance



General Characteristics

Series	SIGNAL R 3.0 D
Number of contacts	21-pin / 26-pin
Pin configuration	Male E-part / Female P-part
Coding	N
Rated voltage (V)	24V AC / 60VDC
Rated impulse voltage	1,5 kV
Rated current (A)	7,5 A
Contact resistance	< 3 mOhm
Contacts	Copper alloy, gold plated
Termination methods	Solder termination: up to 1.0 mm ²
Cable clamping range	6,5-16
Protection	IP 67 (maximum, dependant on cable gland used)
Cycle of mechanical operation	500
Temperature range	-40°C to +100°C, short-term up to +125°C


Materials and Surfaces

Housing	Nickel plated copper alloy
Insert	Thermoplastic
Sealing	Chloroprene Rubber

Versions

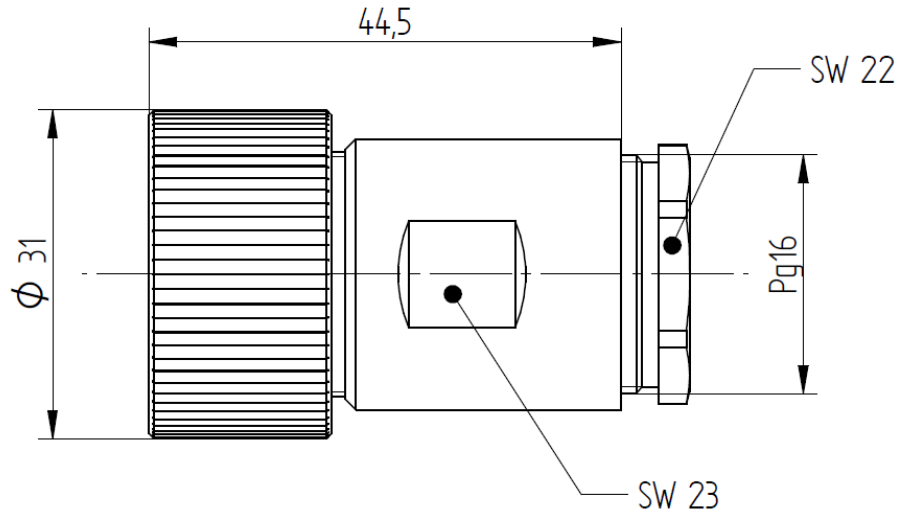
Article number	Article description	Version	Contacts	Pin configuration	Clamping range	Coding
00009045	EPIC® SIGNAL R 3.0 D PG 16	male	1 - 21	E-Part	6,5 - 16 mm	N
00008899	EPIC® SIGNAL R 3.0 D PG 16	male	1 - 26	E-Part	6,5 - 16 mm	N
00008749	EPIC® SIGNAL R 3.0 D PG 16	female	1 - 21	P-Part	6,5 - 16 mm	N
00008829	EPIC® SIGNAL R 3.0 D PG 16	female	1 - 26	P-Part	6,5 - 16 mm	N

Creator: FICE1/PDP Released: VACH1/PDP	Document: DB00009045EN Version: 02	Page 1 of 3
---	---------------------------------------	-------------

00009045	DATA SHEET	
Valid from: 23.05.2022	EPIC® SIGNAL R 3.0 D PG16	

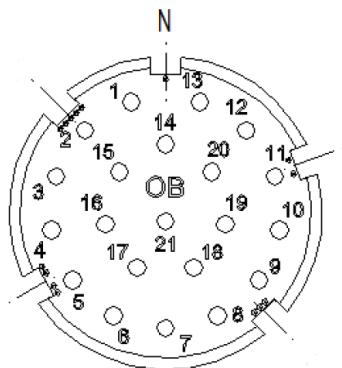
Technical Drawings

Housing

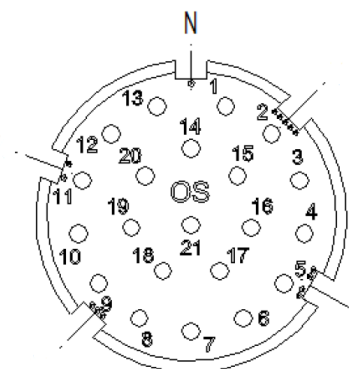


Inserts (plug-side view)

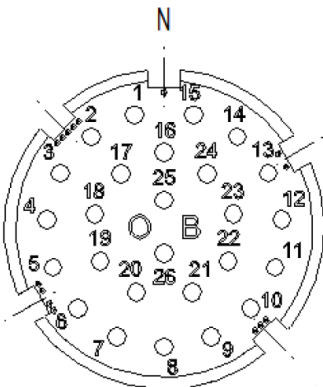
00008749
P-Part / female 21 pins



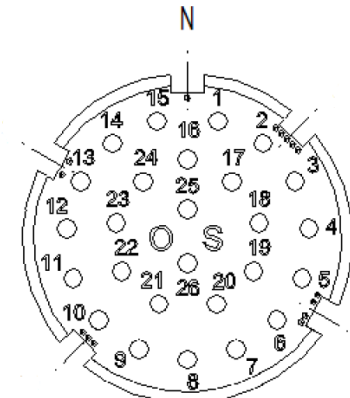
00009045
E-Part / male 21 pins



00008829
P-Part / female 26 pins



00008899
E-Part / male 26 pins



Creator: FICE1/PDP Released: VACH1/PDP	Document: DB00009045EN Version: 02	Page 2 of 3
---	---------------------------------------	-------------

00009045	DATA SHEET	
Valid from: 23.05.2022	EPIC® SIGNAL R 3.0 D PG16	



Corrosion-resistant



Industrial machinery and plant engineering



Mechanical resistance



Space requirement

Info

Compact and reliable connector for multicore signal cables

Application range

Machine and equipment manufacturing
Measurement and control technology

Remark

Photographs are not to scale and do not represent detailed images of the respective products.

Creator: FICE1/PDP Released: VACH1/PDP	Document: DB00009045EN Version: 02	Page 3 of 3
---	---------------------------------------	-------------