


10390413	DATA SHEET	
Valid from: 17.09.2018	EPIC® MCB BUS PIN 1x(4) CM	

Description

- Shielded modul for data and signal transmission
- Crimp connection for permanent vibration proof contact
- CAT5e up to 1 Gigabit/s
- Cable clamp 3-9mm
- The mix of different functions in one plug guarantees high flexibility



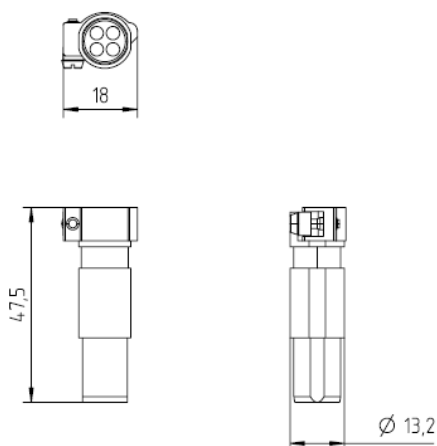
General characteristics

Contact type	socket
Number of contacts	4 + shield
Mating cycles	500
Material	PA
Pollution degree	3
Temperature range	-40° C to +125° C
Termination methods	crimp termination: 0.14 – 2,5 mm

Electrical characteristics

Rated voltage	50 V
Rated impuls voltage	0,8 kV
Rated current	10 A

Drawings



Note

Photographs are not to scale and do not represent detailed images of the respective products.

Creator: MANA2/PDP Released: IVSE1/PDP	Document: DB10390413EN Version: 01	Page 1 of 1
---	---------------------------------------	-------------