


19134000	<b>DATA SHEET</b>	
Valid from: 29.08.2022	<b>EPIC® H-B 32 TG</b>	

## Description

- The large, robust housing for two inserts of size 16



## General Characteristics

Series	H-B 32
Version	Hood
Locking	Bolts for double lever
Cable entry	1x straight, see table
Gland body	See table
Protection (DIN EN 60529)	IP 65 (latched)
Temperature Range	-40°C to +100°C, short term up to +125°C

## Materials / Surfaces

Housing	Aluminium alloy, powder-coated, grey
Locking	Steel, zinc-plated
Gland body	Brass, nickel-plated


## Standard

Safety Standard	IEC 61984
-----------------	-----------

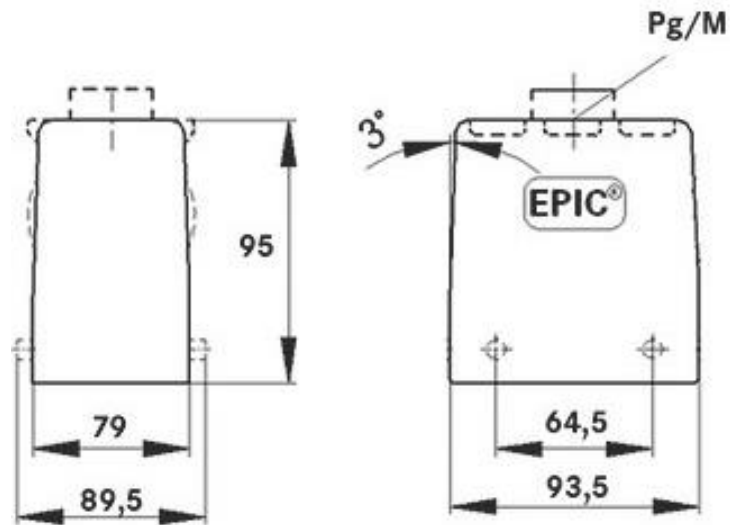
## Versions

Article number	Article description	Cable entry	Gland body
10133000	EPIC® H-B 32 TG 21 ZW	Pg 21	Yes
10134000	EPIC® H-B 32 TG 29 ZW	Pg 29	Yes
19134000	EPIC® H-B 32 TG M32	M32	No
19134400	EPIC® H-B 32 TG M40	M40	No

Creator: BEGE1/PDP Released: IVSE1/PDP	Document: DB19134000EN Version: 00	Page 1 of 2
---	---------------------------------------	-------------

19134000	<b>DATA SHEET</b>	
Valid from: 29.08.2022	<b>EPIC® H-B 32 TG</b>	

## Technical Drawings



Industrial machinery and plant engineering



Mechanical resistance



Robust



Waterproof

## Application range

Plant engineering, Control engineering, Plastics industry

## Remark

Photographs are not to scale and do not represent detailed images of the respective products.

Creator: BEGE1/PDP Released: IVSE1/PDP	Document: DB19134000EN Version: 00	Page 2 of 2
---	---------------------------------------	-------------