


19121900	<b>DATA SHEET</b>	
Valid from: 17.09.2018	<b>EPIC® H-B 24 TG-RO</b>	

## Description

- Ideal for many applications due to a wide range of housings and inserts



## General Characteristics

Series	H-B 24
Version	Hood M25/ M32 (Article 19111900)
Locking	Bolts with plastic rollers for single lever
Gland body	No
Cable entry	Straight
Protection (DIN EN 60529)	IP 65 (latched)
Protection (NEMA 250, UL50E)	12 (latched)
Temperature Range	-40°C to +100°C, short term up to +125°C

## Materials and Surfaces

Housing	Aluminium alloy, powder-coated, grey
Bolt with reels	Heat-treatable steel, zinc-plated / PA


## Approvals

VDE-Approval, VDE-REG.-Nr.	B437
----------------------------	------

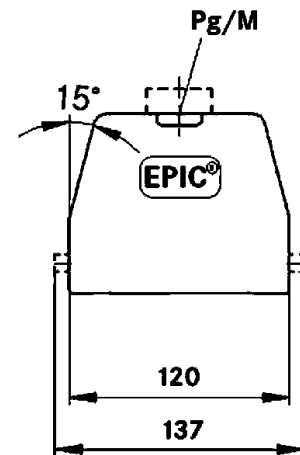
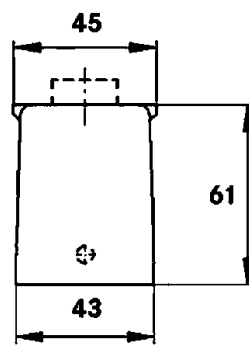
## Standard

Safety Standard	IEC 61984
-----------------	-----------

Creator: MANA2/PDP Released: IVSE1/PDP	Document: DB19121900EN Version: 01	Page 1 of 2
---	---------------------------------------	-------------

19121900	<b>DATA SHEET</b>	
Valid from: 17.09.2018	EPIC® H-B 24 TG-RO	

## Technical Drawings



Automation



Industrial machinery and plant engineering



Mechanical resistance



Robust



Waterproof

### Info

Universal, robust metal housings size H-B 24

### Application range

Plant engineering  
Light & sound technology  
Plastics industry

### Remark

Photographs are not to scale and do not represent detailed images of the respective products.

Creator: MANA2/PDP Released: IVSE1/PDP	Document: DB19121900EN Version: 01	Page 2 of 2
---	---------------------------------------	-------------