


22260505	<b>DATA SHEET</b>	
Valid from: 07.10.2019	<b>AB-C3-M12Y-(L*)PUR-M12FA-B</b>	

## Product description

Sensor/actuator cable, 3-pos., PUR black, straight  
Y-plug M12 on 2x angled jack M12, PIN 2+4 bridged.



## Product variations

Article number	Article description	Length (L*) [m]
22260505	AB-C3-M12Y-0,3PUR-M12FA-B	0.3
22260506	AB-C3-M12Y-0,6PUR-M12FA-B	0.6
22260507	AB-C3-M12Y-1,0PUR-M12FA-B	1.0
22260508	AB-C3-M12Y-2,0PUR-M12FA-B	2.0

This datasheet is also valid for other length configurations. Other lengths upon request.

## M12 connector


### General properties

Coding	A
Protection degree	IP65/IP67
Number of contacts	4 (M12-Y-plug) 4 (M12-jack Pin 2+4 bridged)
Ambient temperature	-25 °C to +90 °C
Rated voltage	250 V
Rated current (at +40°C)	4 A
Insulation resistance	≥ 100 MΩ
Contact resistance	≤ 5 mΩ
Overvoltage category	II
Pollution degree	3
Tightening torque	0.4 Nm
Mating cycles	≥ 100

### Materials

Contact carrier	TPU GF
Contact carrier, inflammability class in accordance with UL 94	HB
Material, contacts	CuSn
Contact surface	Ni/Au
Material, grip body	TPU
Material, knurl	zinc die-cast, nickel-plated
Material, sealing	NBR

Creator: MANA2/PDP Released: IVSE1/PDP	Document: DB22260505EN Version: 07	Page 1 of 3
---	---------------------------------------	-------------

22260505	<b>DATA SHEET</b>	
Valid from: 07.10.2019	<b>AB-C3-M12Y-(L*)PUR-M12FA-B</b>	


### Cable

Signal line, construction	42 x 0.10 mm
Signal line, AWG	22
Conductor, material	stranded of bare copper wire
Conductor, cross-section	0.34 mm <sup>2</sup>
Number of cores	3
Core identification code	brown (1), blue (2), black (4)
Outer diameter, core insulation	1.27 mm
Core insulation, material	PP
Outer sheath	PUR
Outer sheath, color	grey-black similar to RAL 7021
Outer diameter, cable	4.0 mm
Ambient temperature, fixed installation	-40 °C to +80 °C
Ambient temperature, flexing	-25 °C to +80 °C
Minimum bending radius, fixed installation	19 mm
Minimum bending radius, flexing	38 mm
Travel length	10 m
Travel speed	3 m/s
Travel acceleration	10 m/s <sup>2</sup>
Number of bending cycles (at bending radii 44mm)	10.000.000
Nominal voltage	≤ 300 V
Test voltage	≥ 3000 V
Flame retardance	acc. to UL 758/1581 FT2 DIN EN 60332-2-2 (20s)
Halogen free	halogen free acc. to DIN VDE 0472 Part 815
Oil resistance	oil resistant acc. to DIN EN 60811-2-1
Other resistances	resistant to hydrolysis and microbes good resistant to acids, lyes and solvents limited UV resistance acc. to DIN EN ISO 4892-2-A

### Standards/Approvals

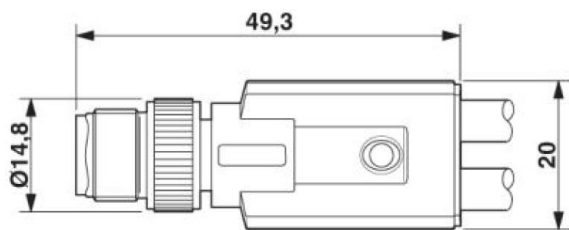
Product standard, M12 connector	IEC 61076-2-101
UL-listed, E-File	E249137

Creator: MANA2/PDP Released: IVSE1/PDP	Document: DB22260505EN Version: 07	Page 2 of 3
---	---------------------------------------	-------------

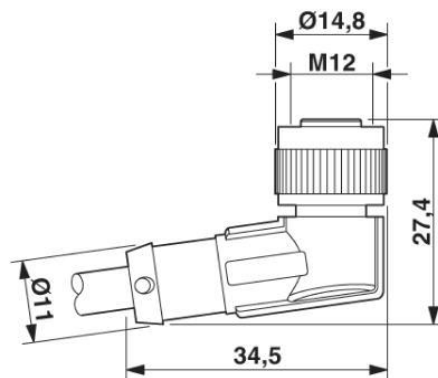
22260505	<b>DATA SHEET</b>	
Valid from: 07.10.2019	<b>AB-C3-M12Y-(L*)PUR-M12FA-B</b>	

## Drawings

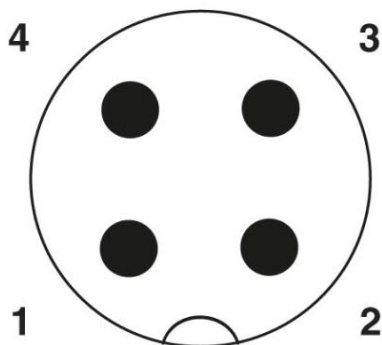
Dimensioned drawing, M12Y connector



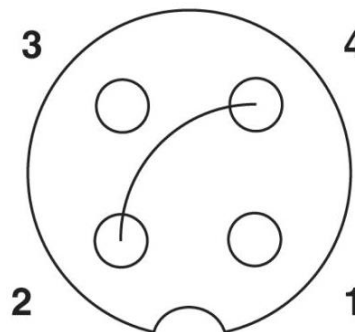
Dimensioned drawing, M8 connector



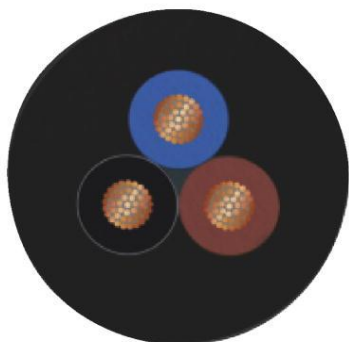
Pin assignment



Pin assignment

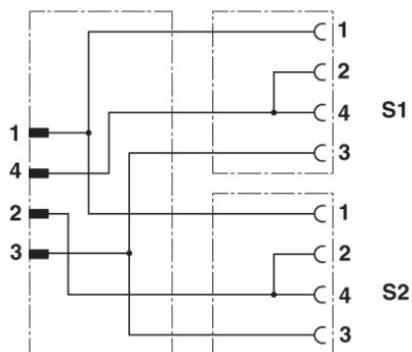


Cable



Core identification code: brown (1), blue (2), black (4)

Wiring diagram



## Application range

Automation, industrial machinery and plant engineering

## Note

Photographs are not true to scale and do not represent detailed images of the respective products.

Creator: MANA2/PDP Released: IVSE1/PDP	Document: DB22260505EN Version: 07	Page 3 of 3
---	---------------------------------------	-------------