


22260370	DATA SHEET	
Valid from: 30.03.2021	AB-C3-10,0PVC-M8FA	

Description

S/A cable, 3-pos., PVC, BK, angled socket M8 on free conductor end, length 10.0 m



General data

Number of positions 3
Length of cable 10 m


General characteristics

Contact material CuSn
Contact surface material Ni/Au
Contact carrier material TPU GF
Material of grip body TPU, hardly inflammable, self-extinguishing
Material, knurls Zinc die-cast, (nickel-plated)
Sealing material NBR

Conductor data

Cable type PVC black
Cable abbreviation LiYY
Conductor cross section 0.25 mm²
AWG signal line 24
Conductor structure, signal line 32 x 0.10 mm
Core diameter including insulation 1.32 mm ±0.02 mm
Thickness, insulation ≥ 0.23 mm (Core insulation)
≥ 0.38 mm (Outer cable sheath)
External cable diameter 4.70 mm
Wire colours Brown, white, blue, black
External sheath, colour Black RAL 9005
Insulation resistance ≥ 100 MΩ*km
Conductor resistance max. 77.6 Ω/km
Nominal voltage, conductor 300 V
Test voltage, conductor 2500 V
Overall twist 4 wires, twisted
Outer sheath, material PVC
Material conductor insulation PVC
Conductor material Bare Cu litz wires
Cable weight 37 kg/km

Creator: PAMA7/PDP Released: IVSE1/PDP	Document: DB22260370EN Version: 02	Page 1 of 2
---	---------------------------------------	-------------

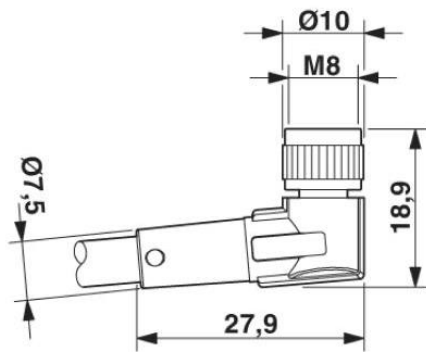
22260370	DATA SHEET	
Valid from: 30.03.2021	AB-C3-10,0PVC-M8FA	

Approvals

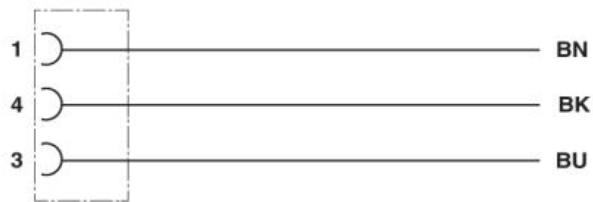
UL listed, E-File

CYJV.E249137
CYJV7.E249137

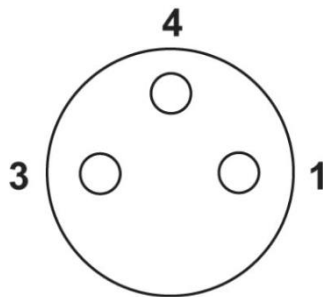
Technical drawings and dimensions



Dimensioned drawing 1
Socket M8 x 1, angled



Circuit diagram



Schematic diagram 1
Pin assignment M8 socket, 4-pos., view female side

Application range

For medium mechanical stress in dry conditions

Note

Photographs are not true to scale and do not represent detailed images of the respective products.

Creator: PAMA7/PDP Released: IVSE1/PDP	Document: DB22260370EN Version: 02	Page 2 of 2
---	---------------------------------------	-------------