


22260267	DATA SHEET	
Valid from: 17.09.2018	AB-C3-M12MS-(L*)PUR-M8FA-2L	

Description

- Sensor / actuator cable with 2 LEDs, 3 pins, PUR halogen-free, black grey RAL 7021
- straight M12-plug on angled M8-jack



General characteristics

Number of pins	3
Ambient temperature	-25 to +90 °C (-13°F to 194°F) (connector) -40 to +80 °C (-40°F to 176°F) (cable, fixed installation) -25 to +80 °C (-13°F to 176°F) (cable, Movable installation)
Degree of protection	IP 65 / IP 67 / IP 68
Codierung	A-standard
Tightening torque	0.2 Nm (M8-connector) 0.4 Nm (M12-connector)

Variants

Material	Description	Length (L*) [m]	Configuration
22260267	AB-C3-M12MS-0.3PUR-M8FA-2L	0.3	Straight - Angled
22260268	AB-C3-M12MS-0.6PUR-M8FA-2L	0.6	Straight - Angled
22260269	AB-C3-M12MS-1.0PUR-M8FA-2L	1	Straight - Angled
22260270	AB-C3-M12MS-2.0PUR-M8FA-2L	2	Straight - Angled

Electrical properties


Rated voltage	24 V
Rated current at 40 °C	4 A
Over voltage category	II
Pollution degree	3

Mechanical properties

Plug

Inflammability class according to UL 94	HB
Contact	CuSn
Contact surface	Ni / Au
Contact carrier	TPU GF
Material, Knurl	Zinc diecasting, nickel-plated
Handle	TPU, flame retardant, self-extinguishing
Seal	NBR

Creator: SHNA3/PDP Released: IVSE1/PDP	Document: DB22260267EN Version: 05	Page 1 of 3
---	---------------------------------------	-------------

22260267	DATA SHEET	
Valid from: 17.09.2018	AB-C3-M12MS-(L*)PUR-M8FA-2L	

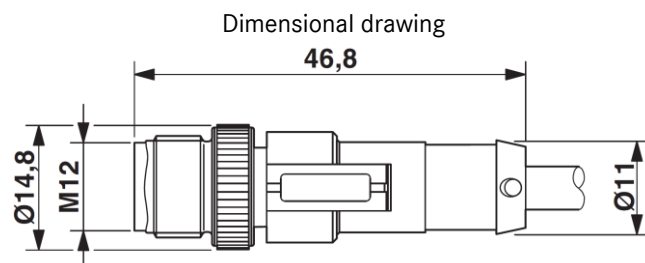
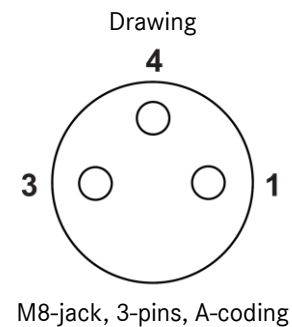
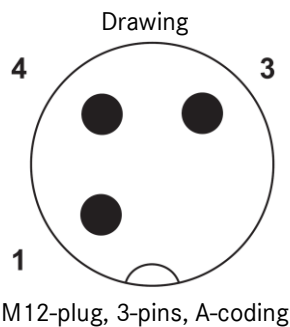
Line

Cable construction	3x AWG24/32
Conductor diameter including isolation	1.17 mm ±0.02 mm
Cable outer diameter	3.6 mm ±0.15 mm
Core identification	Brown, Blue, Black
Sheath colour	Black grey, similar to RAL 7021
Bending radius	44 mm
Number of bending cycle	10000000
Traveling distance	10 m
Travel speed	3 m/s
Acceleration	10 m/s ²
Cable weight	18 kg/km
Outer coating, material	PUR
Wire insulation, material	PP
Flame resistance	Acc. UL 758/1581 FT2 DIN EN 60332-2-2 (20 s)
Halogen-free	Acc. DIN VDE 0472 part 815
Oil Resistance	Acc. DIN EN 60811 - 2 - 1

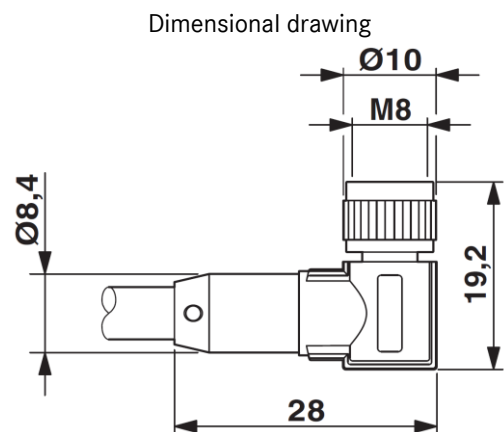
Standards / Approvals

Product standard, M8 connector	IEC 61076-2-104
Product standard, M12 connector	IEC 61076-2-101

Technical drawing




Plug M12 x 1, straight



Jack M8 x 1, angled, with LED

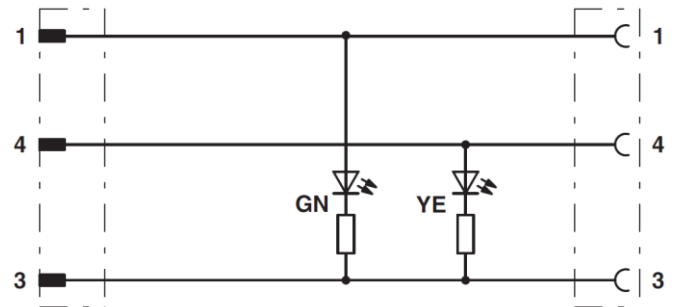
Creator: SHNA3/PDP Released: IVSE1/PDP	Document: DB22260267EN Version: 05	Page 2 of 3
---	---------------------------------------	-------------

22260267	DATA SHEET	
Valid from: 17.09.2018	AB-C3-M12MS-(L*)PUR-M8FA-2L	

Wire cross section



Circuit diagram



Contact assignment M12-plug/M8-jack

Application range

Automation, Tool shop, Mechanical Engineering and plant engineering

Note

Photographs are not true to scale and do not represent detailed images of the respective products.

Creator: SHNA3/PDP Released: IVSE1/PDP	Document: DB22260267EN Version: 05	Page 3 of 3
---	---------------------------------------	-------------