


22260101	DATA SHEET	
Valid from: 12.09.2019	AB-C4-M8MS-0,5	

Product description

Sensor/actuator flush-type plug, M8, 4-pos., front/screw mounting, with M8 thread, with 0.5 m TPE litz wire, 4 x 0.25 mm²



General properties, flush-type connector

Ambient temperature	-25 to +85 °C
Protection degree	IP67
Number of contacts	4
Coding	A
Termination type	single wires
Conductor cross section, AWG	24
Conductor cross section, mm ²	0.25
Mating cycles	100

General properties, cable

Insulation, material	TPE
Cable type	stranded single wire
Conductor, material	tinned copper
Cores, outer diameter	1.5 mm
Permissible temperature range, fixed installation	-30 to 105 °C

Electrical properties

Rated voltage	60 V
Contact resistance	≤ 3 mΩ
Insulation resistance	≥ 100 MΩ
Proof voltage, contact-contact	≥ 1.00 kV
Proof voltage, contact-housing	≥ 0.85 kV
Rated current	4 A
Overvoltage category	II
Pollution degree	3


Materials, M8 flush-type connector

Contact carrier	PA
Contact carrier, inflammability class in accordance with UL 94	HB
Contacts, base material	CuZn
Contacts, surface	Au
Knurl	Brass, Ni plated
Grip body	PA
Sealing	FKM

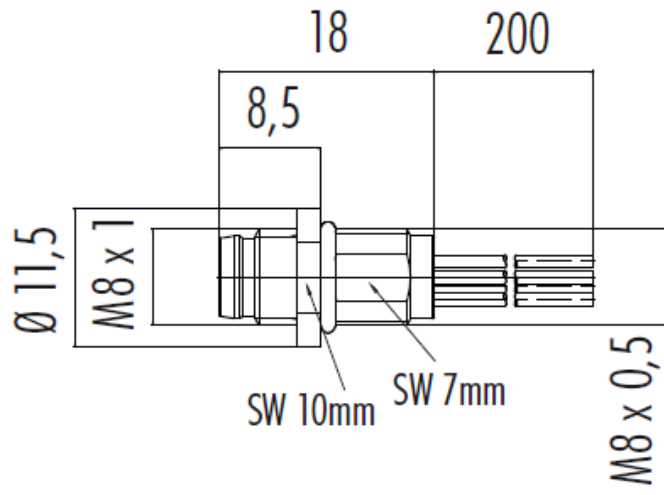
Standards

Product standard	M8-Connector acc. to DIN EN 61076-2-104
------------------	---

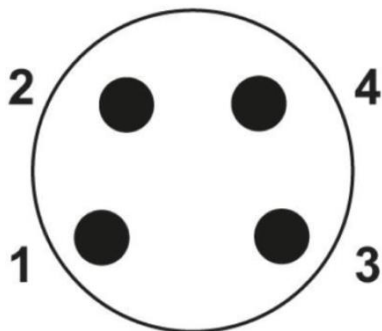
Creator: MANA2/PDP Released: IVSE1/PDP	Document: DB22260101EN Version: 05	Page 1 of 2
---	---------------------------------------	-------------

22260101	DATA SHEET	
Valid from: 12.09.2019	AB-C4-M8MS-0,5	

Drawings



Pin assignment



Application range

Connection of enclosures and cabinets

Note

Photographs are not true to scale and do not represent detailed images of the respective products.

Creator: MANA2/PDP Released: IVSE1/PDP	Document: DB22260101EN Version: 05	Page 2 of 2
---	---------------------------------------	-------------