


| | | |
|---------------------------|--------------------------|---|
| 22260037 | DATA SHEET |  |
| Valid from: 17.09.2018 | AB-B10-M8L-10-M16 | |

Description

- Sensor/ actuator distribution box with LEDs
- Connection methods: M8-jack, A-standard (for S/A), M16 plug connection (for trunk cable)
- Slots: 10



General characteristics

| | |
|--------------------------------------|---|
| Connection method, trunk cable | M16 plug connection |
| Connection method, sensor / actuator | M8-jack, A-standard |
| Number of slots | 10 |
| Number of pins | 3 (M8-jack) 14 (M16 plug connection) |
| Ambient temperature | -30 to +80 °C (-22°F to 176°F) |
| Degree of protection | IP65 / IP67 |
| Local diagnosis | LED green (Supply voltage) LED yellow (Status indicator I/O) |


Electrical properties

| | |
|---------------------------------------|--------|
| Rated voltage | 24 VDC |
| Current load ability per I / O signal | 2 A |
| Total current | 6 A |

Mechanical properties

| | |
|---|---------------|
| Inflammability class according to UL 94 | V0 |
| Housing | PBT |
| Potting compound | PUR |
| Contact | CuSn |
| Contact surface | Ni / Au |
| Contact carrier | PA |
| Threaded sleeve | Cu alloy |
| Contact (for trunk cable) | Cu alloy |
| Threaded sleeve surface | Nickel plated |
| O-ring | NBR |
| Tightening torque slot S/A cable | 0.2 Nm |
| Tightening torque plug connection (trunk cable) | 1.5 Nm |

| | | |
|---|---------------------------------------|-------------|
| Creator: ERTC1/PDP Released: IVSE1/PDP | Document: DB22260037EN Version: 04 | Page 1 of 2 |
|---|---------------------------------------|-------------|

| | | |
|---------------------------|--------------------------|---|
| 22260037 | DATA SHEET |  |
| Valid from: 17.09.2018 | AB-B10-M8L-10-M16 | |

Connector pin assignment

Slot / pol = colour or connection

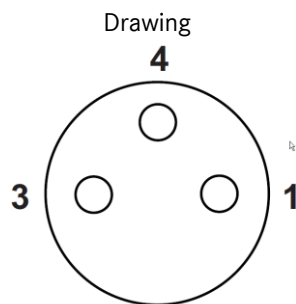
- 1 / 4 (A) = P
- 2 / 4 (A) = J
- 3 / 4 (A) = T
- 4 / 4 (A) = S
- 5 / 4 (A) = G
- 6 / 4 (A) = R
- 7 / 4 (A) = E
- 8 / 4 (A) = O
- 9 / 4 (A) = C
- 10 / 4 (A) = N
- 1-10 / 1 (+24 V) = A+M
- 1-10 / 3 (0 V) = L+U

Standards / Approvals

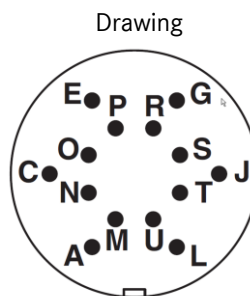
Product standard, M8 connector

IEC 61076-2-104

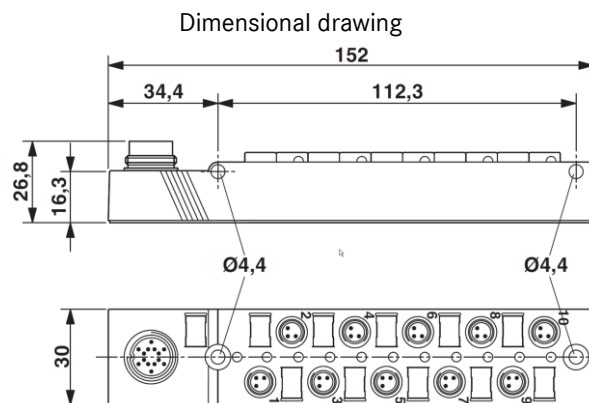
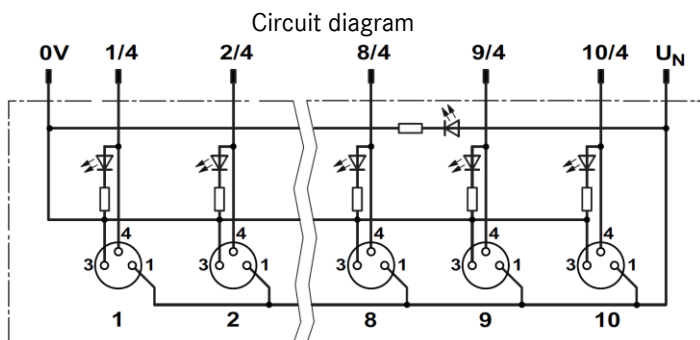
Technical drawing



M8 jack, 3-pol, slots 1-10



M16 plug, 14-pol



Application range

Automation, industrial machinery and plant engineering

Note

Photographs are not true to scale and do not represent detailed images of the respective products.

| | | |
|---|---------------------------------------|-------------|
| Creator: ERTC1/PDP Released: IVSE1/PDP | Document: DB22260037EN Version: 04 | Page 2 of 2 |
|---|---------------------------------------|-------------|