


22260035	DATA SHEET	
Valid from: 17.09.2018	AB-B6-M8L-6-M16	

Description

- Sensor / actuator distribution box with LEDs
- Connection method: M8-jack, A-coded
- Slots: 6



General characteristics

Connection method, trunk cable	M16-plug connector
Connection method, sensor / actuator	M8-jack, A-standard
Number of slots	6
Number of pins	3 (M8-jack) 14 (M16-plug connector)
Ambient temperature	-30 to +80 °C (-22°F to 176°F)
Degree of protection	IP65 / IP67
Local diagnosis	LED green (Supply voltage) LED yellow (Status indicator I/O)

Electrical properties

Rated voltage	24 VDC
Current load ability per slot	2 A
Total current	6 A


Mechanical properties

Inflammability class according to UL 94	V0
Housing	PBT
Potting compound	PUR
Contact	CuSn
Contact surface	Ni / Au
Contact carrier	PA
Contact, trunk cable plug connector	Cu alloy
Threaded sleeve	Cu alloy
Threaded sleeve surface	Nickel plated
O-ring	NBR
Tightening torque trunk cable, plug connector	1.5 Nm
Tightening torque slot s/a-wire	0.2 Nm

Connector pin assignment

slot / pin = colour or connection	1 / 4 (A) = P
	2 / 4 (A) = J
	3 / 4 (A) = T
	4 / 4 (A) = S
	5 / 4 (A) = G
	6 / 4 (A) = R
	1-6 / 1 (+ 24 V) = A+M
	1-6 / 3 (0 V) = L+U

Creator: ERTC1/PDP Released: IVSE1/PDP	Document: DB22260035EN Version: 04	Page 1 of 2
---	---------------------------------------	-------------

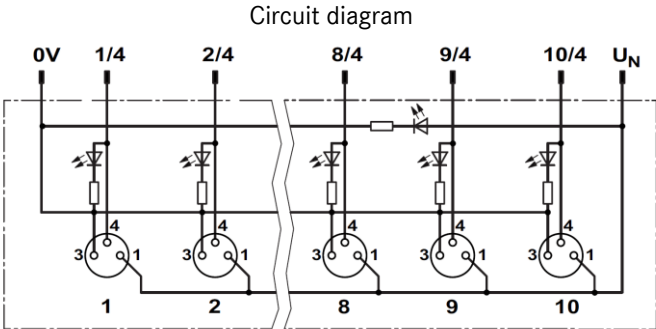
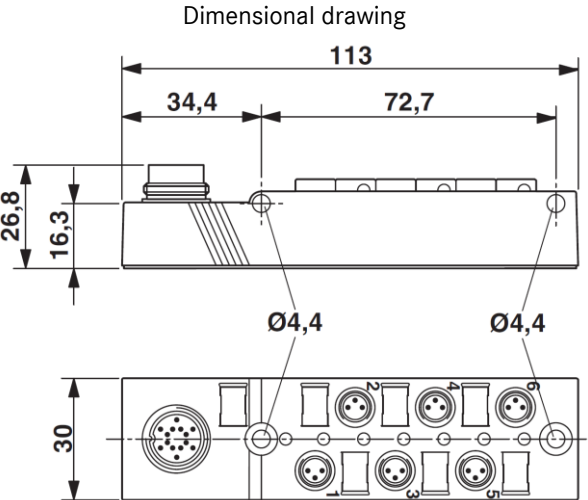
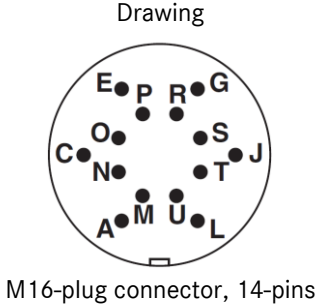
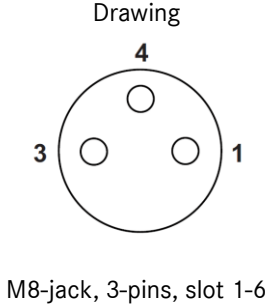
22260035	DATA SHEET	
Valid from: 17.09.2018	AB-B6-M8L-6-M16	

Standards / Approvals

Product standard, M8 connector

IEC 61076-2-104

Technical drawing



Application range

Automation, industrial machinery and plant engineering

Note

Photographs are not true to scale and do not represent detailed images of the respective products.

Creator: ERTC1/PDP Released: IVSE1/PDP	Document: DB22260035EN Version: 04	Page 2 of 2
---	---------------------------------------	-------------