


22260103	<b>DATA SHEET</b>	
Valid from: 12.09.2019	<b>AB-C4-M8FS-0,5</b>	

## Product description

Sensor/actuator flush-type socket, M8, 4-pos., front/screw mounting, with M8 thread, with 0.5 m TPE litz wire, 4 x 0.25 mm<sup>2</sup>



## General properties, flush-type connector

Ambient temperature	-25 to +85 °C
Protection degree	IP67
Number of contacts	4
Coding	A
Termination type	single wires
Conductor cross section, AWG	24
Conductor cross section, mm <sup>2</sup>	0.25
Mating cycles	100

## General properties, cable

Insulation, material	TPE
Cable type	stranded single wire
Conductor, material	tinned copper
Cores, outer diameter	1.5 mm
Permissible temperature range, fixed installation	-30 to 105 °C

## Electrical properties

Rated voltage	60 V
Contact resistance	≤ 3 mΩ
Insulation resistance	≥ 10 TΩ
Proof voltage, contact-contact	≥ 1.00 kV
Proof voltage, contact-housing	≥ 0.85 kV
Rated current	4 A
Overvoltage category	II
Pollution degree	3


## Materials, M8 flush-type connector

Contact carrier	PUR
Contact carrier, inflammability class in accordance with UL 94	HB
Contacts, base material	CuSn
Contacts, surface	Au
Knurl	Brass, Ni plated
Grip body	PA
Sealing	FKM

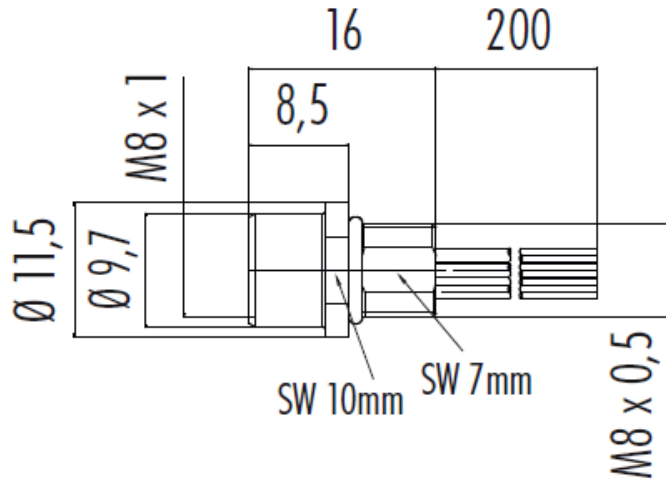
## Standards

Product standard	M8-Connector acc. to DIN EN 61076-2-104
------------------	---

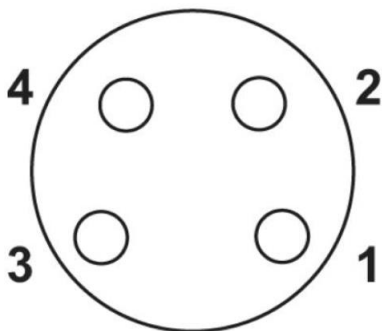
Creator: MANA2/PDP Released: IVSE1/PDP	Document: DB22260103EN Version: 05	Page 1 of 2
---	---------------------------------------	-------------

22260103	<b>DATA SHEET</b>	
Valid from: 12.09.2019	AB-C4-M8FS-0,5	

### Drawings



### Pin assignment



### Application range

Connection of enclosures and cabinets

### Note

Photographs are not true to scale and do not represent detailed images of the respective products.

Creator: MANA2/PDP Released: IVSE1/PDP	Document: DB22260103EN Version: 05	Page 2 of 2
---	---------------------------------------	-------------