


22260019	DATA SHEET	
Valid from: 17.09.2018	AB-B4-M12L-4-10,0PUR	

Description

- Sensor/actuator box
- Connection methods: rapid interlock with LED master cable, markers and single-assigned slots
- slots: 4, cable length: 10 m



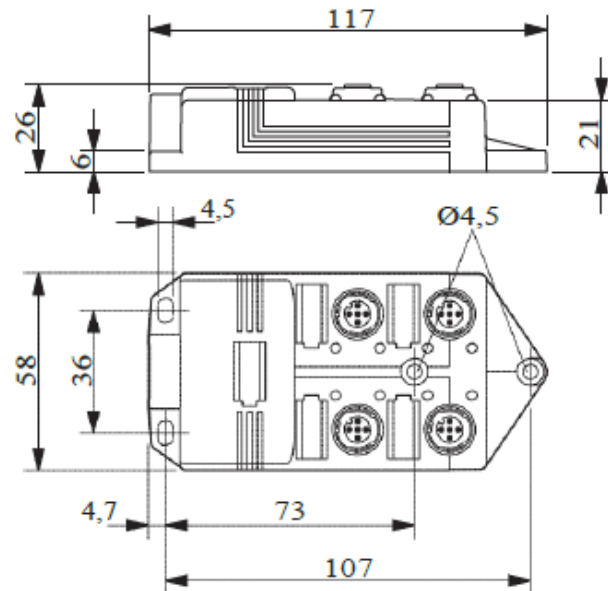
Number of slots:	4
Nominal voltage U : _N	24 V DC
Max. current carrying capacity per path:	2 A
Total current:	1x12 A
Connection type:	Individual wires
Current carrying capacity per slot:	4 A
Number of poles:	4
Degree of protection:	IP65/IP67/IP69K
Status display:	LEDs
Inflammability class acc. to UL 94:	V0
Contact surface material:	Gold-plated
Material, O-ring:	NBR
Material of the moulding mass:	PUR
Material of threaded sleeve:	Zinc die-cast
Material of threaded sleeve surface:	Nickel-plated
Tightening torque slot sensor/actuator cable:	0.4 Nm
Tightening torque screw plug:	0.4 Nm

Conductor data

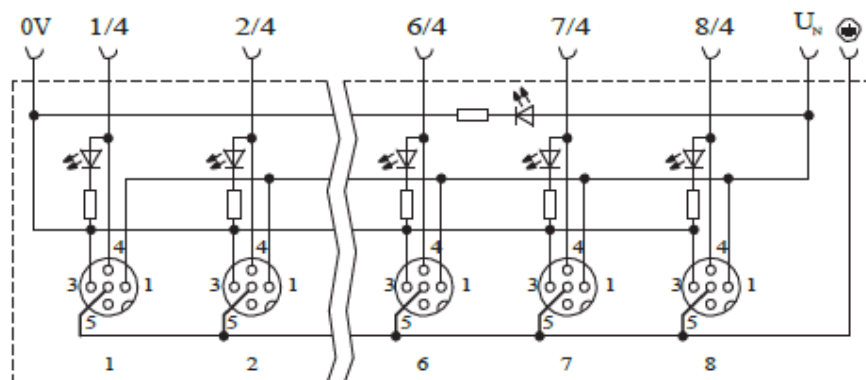
Cable types:	Master cable suitable for flexible cable conduit
Outer diameter:	6.9 mm
Conductor structure, voltage supply:	42x0.15 mm
Conductor structure, signal line:	19x0.15 mm
AWG power supply:	18
AWG signal line:	22
Power supply cross section:	3x0.75mm ²
Signal line cross section:	4x0.34 mm ²
Max. bending cycles:	1500000
Traversing path:	2 m
Traversing rate:	2 m/s
Slot/position = Wire color or connection:	1 / 4 (A) = WH


Creator: FELI1/PDP Released: IVSE1/PDP	Document: DB22260019EN Version: 04	Page 1 of 3
---	---------------------------------------	-------------

Technical drawing

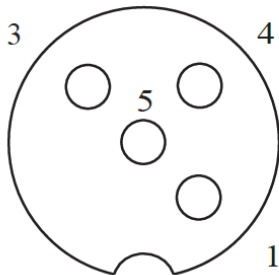


Circuit diagram



22260019	DATA SHEET	
Valid from: 17.09.2018	AB-B4-M12L-4-10,0PUR	

Schema drawings



Pin assignment

Slot/ position = Wire color or connection

- 1 / 4 (A) = WH
- 2 / 4 (A) = GN
- 3 / 4 (A) = YE
- 4 / 4 (A) = GY
- 1-4 / 1 (+ 24 V) = BN
- 1-4 / 3 (0 V) = BU
- 1-4 / 5 (PE) = GN/YE

Application range

Automation, industrial machinery and plant engineering

Note

Photographs are not true to scale and do not represent detailed images of the respective products.

Creator: FELI1/PDP Released: IVSE1/PDP	Document: DB22260019EN Version: 04	Page 3 of 3
---	---------------------------------------	-------------