


2171758	DATA SHEET	
Valid from: 30.03.2021	IE-EC-5-M8-S-(L*)-P-2-26-FD-RJ45	

Description

- Industrial Ethernet Patchcord, EtherCat, Cat.5e, PUR, for drag chain
- straight plug M8 on straight plug RJ45



This datasheet is also valid for other length configurations. Other length configurations on request.

General characteristics

Connection methods	M8-plug, A-standard RJ45-plug
Number of pins	4
Ambient temperature	-40 °C to +70 °C (-40 °F to +158 °F) (connector) -40 °C to +80 °C (-40 °F to +176 °F) (cable fixed installation) -30 °C to +50 °C (-22 °F to +122 °F) (cable flexible)
Degree of protection	IP 67 (M8-jack) IP 20 (RJ45-jack)
Shielding	shielded


Variation

Material	Description	Length (L*) [m]
2171757	IE-EC-5-M8-S-0,5-P-2-26-FD-RJ45	0,5
2171758	IE-EC-5-M8-S-1-P-2-26-FD-RJ45	1
2171759	IE-EC-5-M8-S-2-P-2-26-FD-RJ45	2
2171760	IE-EC-5-M8-S-3-P-2-26-FD-RJ45	3
2171761	IE-EC-5-M8-S-5-P-2-26-FD-RJ45	5
2171762	IE-EC-5-M8-S-10-P-2-26-FD-RJ45	10
2171763	IE-EC-5-M8-S-20-P-2-26-FD-RJ45	20

Electrical properties

Rated voltage	30 VDC
Rated current at 40 °C	1 A
Pollution degree	3 (M8-jack) 1 (RJ45-jack)

Creator: FELI1/PDP Released: IVSE1/PDP	Document: DB2171758EN Version: 02	Page 1 of 3
---	--------------------------------------	-------------

2171758	DATA SHEET	
Valid from: 30.03.2021	IE-EC-5-M8-S-(L*)-P-2-26-FD-RJ45	

Mechanical properties

M8-plug

Handle	TPU
Knurl	Zinc diecasting, nickel-plated
Contact	CuZn, gold-plated

Line

Lapp article number	2170433
Lapp description	ETHERLINE P EC FD Cat.5e
Cable construction	4x AWG26/19
Conductor diameter including isolation	ca. Ø1.03 mm
Cable outer diameter	Ø4.8 mm ± 0.3mm
Core identification	White-orange, orange, white-green, green
Sheath color	green, similar to RAL 6018
Type of pair shielding	Plastic laminated alufoil
Shielding	Braid made of tinned copper wires
Bending radius	4x cable-Ø (cable fixed installation) 16x cable-Ø (cable flexible)
Outer coating, material	PUR
Material wire insulation	Polyoefine
Flame resistance	UL 1581, Sec. 1080 (VW-1) UL 2556
Halogen-free	Acc. DIN VDE 0472 part 815

RJ45-plug

Handle	TPU
Contact	CuZn, gold-plated


Connector pin assignment

Pol = color of conductor (Signal) = Pol	1 (M8) = white-orange = 1 (RJ45)
	2 (M8) = white-green = 3 (RJ45)
	3 (M8) = green = 6 (RJ45)
	4 (M8) = orange = 2 (RJ45)

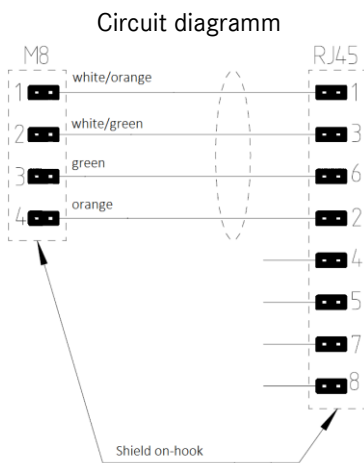
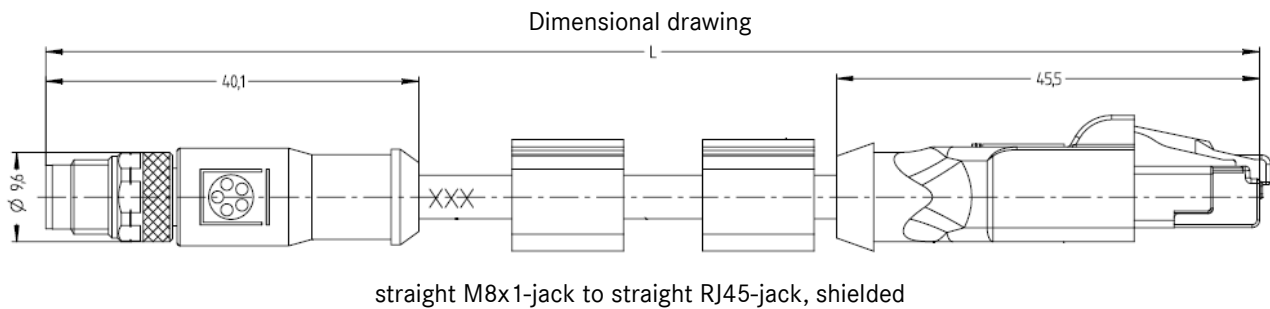
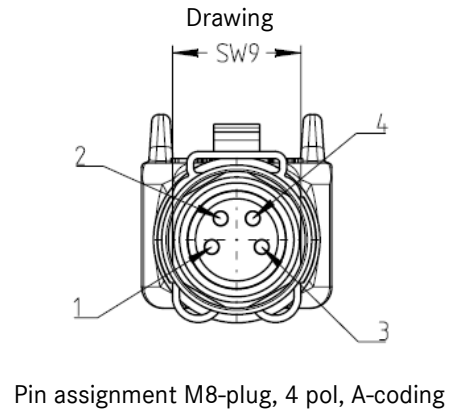
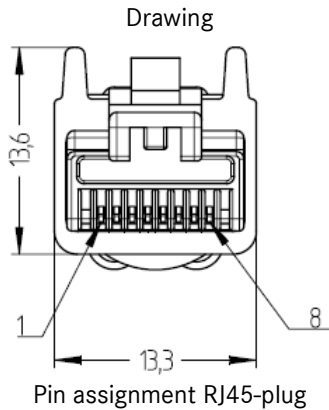
Standards / Approvals

Product standard, M8 connector	IEC 61076-2-104
Product standard, RJ45 connector	IEC 60603-7-51
Generic cabling for customer premises - General requirements	DIN EN 50173-1 ISO/IEC 11801

Creator: FELI1/PDP Released: IVSE1/PDP	Document: DB2171758EN Version: 02	Page 2 of 3
---	--------------------------------------	-------------

2171758	DATA SHEET	
Valid from: 30.03.2021	IE-EC-5-M8-S-(L*)-P-2-26-FD-RJ45	

Technical drawing



Certification

Certified acc. to ECE R118

Application range

Automation, industrial machinery and plant engineering

Note

Photographs are not true to scale and do not represent detailed images of the respective products

Creator: FELI1/PDP Released: IVSE1/PDP	Document: DB2171758EN Version: 02	Page 3 of 3
---	--------------------------------------	-------------