

| | |
|---------------------------|---|
| 29500711 | DATA SHEET |
| Valid from: 30.09.2019 | PCF BUFFERED FIBRE STRIPPER 0.3 MM |

Description

- Stripping tool for PE and PVC protection- or primary cable sheaths
- For polymer cladded fibres



General characteristics

Suitable optical fibres (acc. to IEC 60793-2-30)
Temperature range

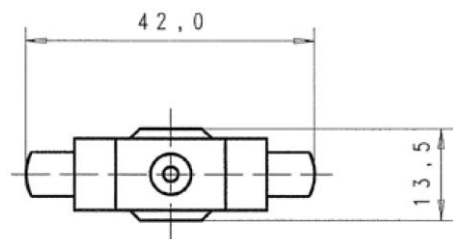
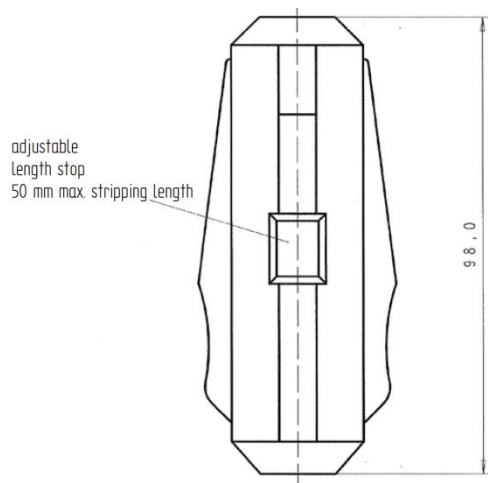
A3 (Polymer fibre, Ø0.3 mm)
-40 °C to +85 °C (-40 °F to +185 °F) (Operation+ Storage)

Mechanical properties

Material

Plastic, stainless steel

Technical drawing



Application range

Optical networks, industry electronics, power electronics, consumer electronics

Note

Photographs are not true to scale and do not represent detailed images of the respective products.