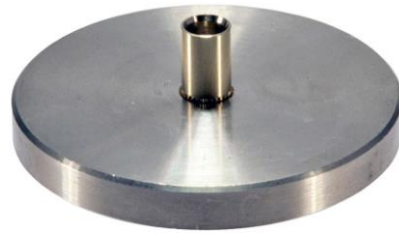


29500033	DATA SHEET
Valid from: 16.08.2018	Polishing Disc POF HFBR4501/4511 SIMPLEX

Description

- Polishing disc for HFBR simplex connector with polymer optical fiber
- For finishing of connector end faces



General characteristics

Suitable connector types

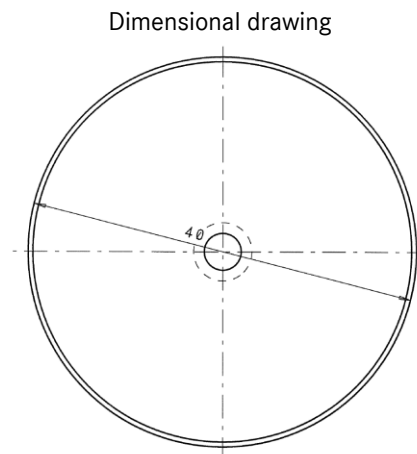
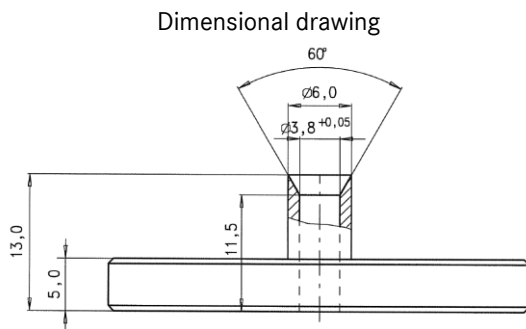
HFBR-4501 / HFBR-4511 / HFBR-4531 / HFBR-4533

Mechanical properties

Material

Stainless steel

Technical drawing



Application range

Optical networks, industry electronics, power electronics, consumer electronics

Note

Photographs are not true to scale and do not represent detailed images of the respective products.