

29500037	DATA SHEET
Valid from: 08.02.2019	POLISHING DISC POF SC CONNECTOR

Description

- Polishing disc for SC connector with polymer optical fibre
- For finishing of contact end faces



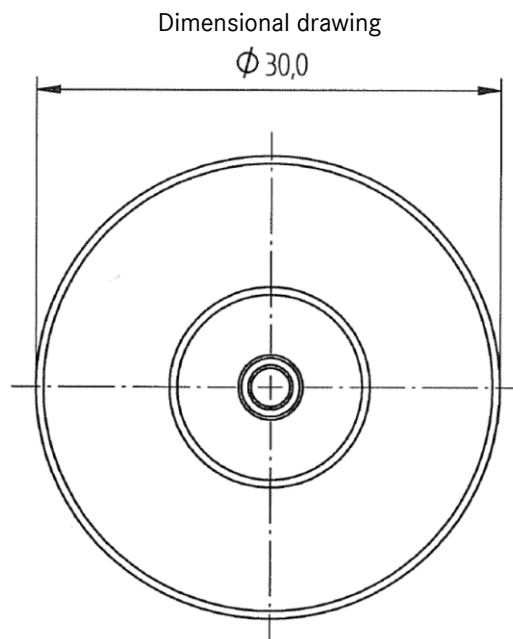
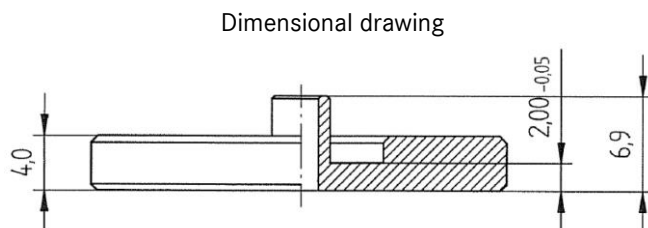
General characteristics

Suitable connector type SC and SC-RJ
(acc. to IEC 61754-4 and IEC 61754-24)

Mechanical properties

Material Stainless steel

Technical drawing



Application range

Optical networks, industry electronics, power electronics, consumer electronics

Note

Photographs are not true to scale and do not represent detailed images of the respective products.