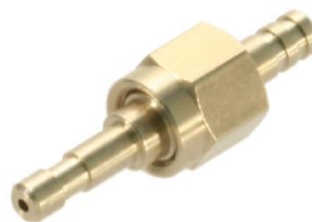


29135088	DATA SHEET
Valid from: 30.11.2018	POF CONNECTOR FSMA (HEX) CRIMP 2.2 /50PC

Description

- POF optical fibre connector F-SMA
- Suitable for polymer optical fibres
- Easy manufacturing by crimping



General characteristics

Connector, type	F-SMA
Suitable optical fibres (acc. IEC60793-2-40)	A4a & A4d (Polymer fibre, Ø1 mm)
Suitable cable-Ø	2.2 mm
Degree of protection	IP 20
Bend protection colour	Red (50%), black (50%)
Temperature range	-40 to +85 °C (-40 to +185 °F) (operation + storage)

Variation

Article	Description	Nut-profile	Package size [pcs]
29135088	POF Connector FSMA Hex Crimp 2.2 /50PC	Hexagonal	50
29135089	POF Connector FSMA Hex Crimp 2.2 /4PC	Hexagonal	4
29135098	POF Connector FSMA Crimp 2.2 /50PC	Knurl	50
29135099	POF Connector FSMA Crimp 2.2 /4PC	Knurl	4

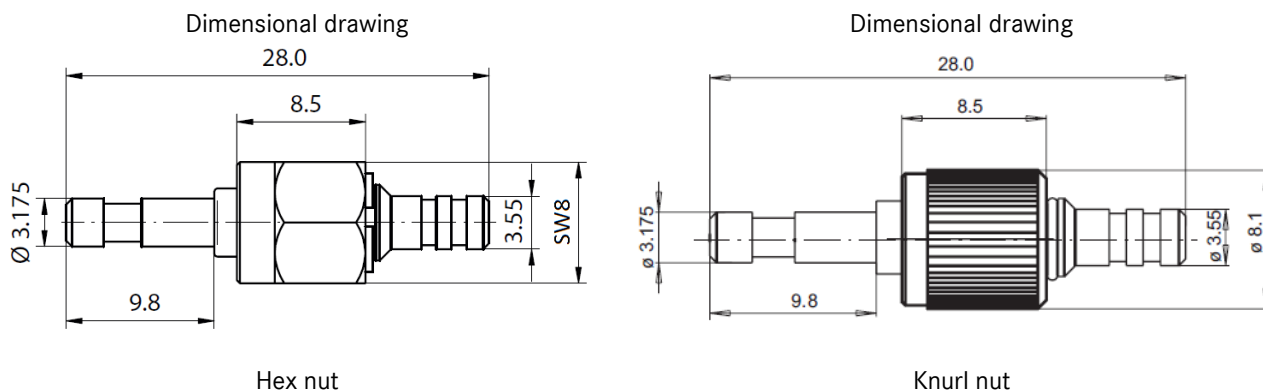
Optical properties

Typical insertion loss (IL) ≤ 1.5 dB (depending on fibre end face finish)

Mechanical properties

Ferrule, material	Nickel silver
Screw Nut, material	Nickel silver
Snap ring, material	Steel
Protecting against kinking, material	TPE
Dust protection, material	HD-PE
Retention force of fibre- or cable sheath crimp	50 N
Retention force of fibre- and cable sheath crimp	80 N
Tightening Torque	Hand tight

Technical drawing



29135088	DATA SHEET
Valid from: 30.11.2018	POF CONNECTOR FSMA (HEX) CRIMP 2.2 /50PC

Standards / Approvals

Fibre optic connector interfaces – Type F-SMA

IEC 61754-22

Application range

Optical networks, industry electronics, power electronics, consumer electronics

Note

Photographs are not true to scale and do not represent detailed images of the respective products.