


22262020	<b>DATA SHEET</b>	
Valid from: 12.09.2019	<b>AB-C5-DSI-M12MS-M12FS-M16-SH</b>	

## Description

- Sensor/Actuator control cabinet feed through
- Plug on jack
- M12, 5 pins, A-coded, shielded
- Bipolar/screw mounting



## General characteristics

Ambient Temperature (operation)	-25 to +85 °C (-13 to 185 °F)
Protection class	IP 67
Number of pins	5
Coding	A - standard
Status indicator	No

## Mechanical characteristics

Contact, material	CuZn
Contact surface, material	Au
Contact carrier, material	PA 66
Knurl, material	Nickel plated brass
Seal, material	NBR


## Electrical characteristics

Rated voltage	24 V
Rated current (at 40 °C)	4 A
Overvoltage category	II
Pollution degree	3
Contact resistance	≤ 3 mΩ
Insulation resistance	≥ 100 MΩ

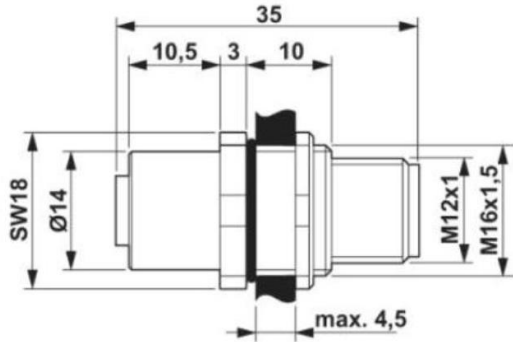
## Standard

Product standard	M12-plug according to IEC 61076-2-101
------------------	---------------------------------------

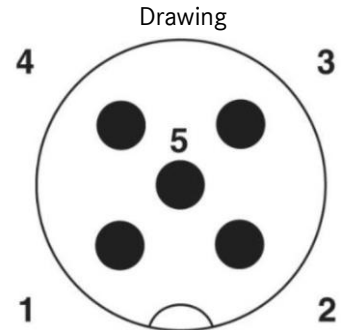
Creator: MOKO2/PDP Released: IVSE1/PDP	Document: DB22262020EN Version: 01	Page 1 of 2
---	---------------------------------------	-------------

22262020	<b>DATA SHEET</b>	
Valid from: 12.09.2019	<b>AB-C5-DSI-M12MS-M12FS-M16-SH</b>	

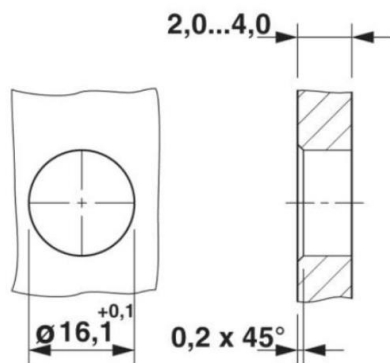
### Technical Drawing



Cabinet feed-through, M12-plug on M12-jack

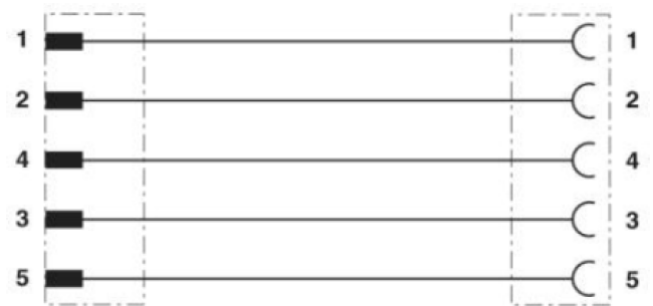


M12-plug, 5-pins, B-coded



Mounting cut-out

Circuit diagram



Contact assignment M12-plug and M12-jack

### Application range

Automation, industrial machinery and plant engineering

### Note

Photographs are not true to scale and do not represent detailed images of the respective products.

Creator: MOKO2/PDP Released: IVSE1/PDP	Document: DB22262020EN Version: 01	Page 2 of 2
---	---------------------------------------	-------------