


22262015	DATA SHEET	
Valid from: 12.09.2019	AB-C4-M12FST-M20-PO	

Description

M12 Power connector, female, flush-type, 4-pos.,
T-coded, front / screw mounting with M20 thread,
can be positioned




Common values

M12 coding	T Power
Latching mechanism	Screwed
Cable outlet	8 - 10 mm
Wire gauge (mm)	0,75 - 1,50 mm ²
Wire gauge (AWG)	18 - 16
Upper temperature	+ 85 °C
Lower temperature	- 40 °C
Material of contact	CuZn
Material of contact surface	Au
Material of contact body	PA
Material of housing	PA, zinc diecasting nickel plated
Material of cable seal	NBR
Locking torque	0,6 Nm (M12-knurl) 1 Nm ... 1,4 Nm (screw down nut with sleeve housing) 0,6 Nm (connector module with sleeve housing) 0,4 Nm (screw terminal)

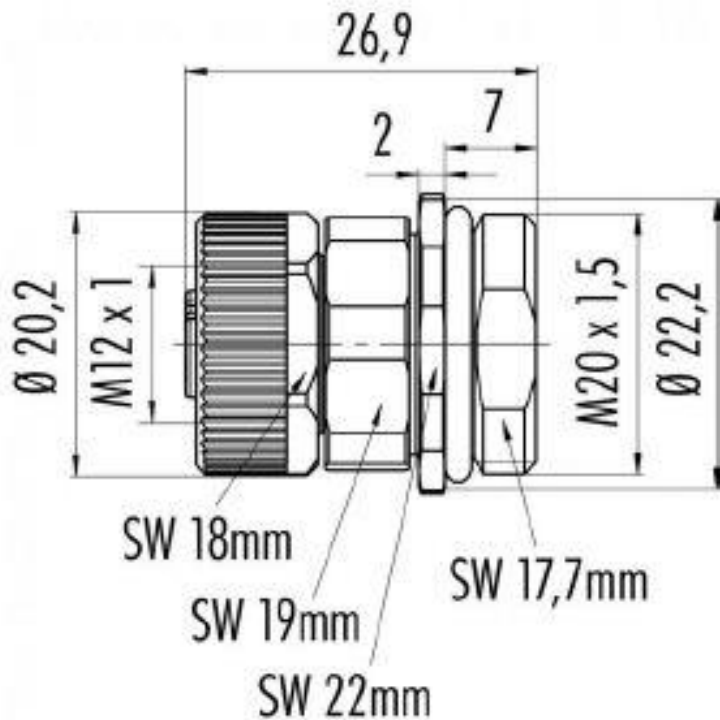
Electrical values

Rated voltage	60 V
Rated impulse voltage	1500 V
Pollution degree	3
Overvoltage category	III
Material group	III
Rated current (40°C)	12 A
Contact resistance	≤ 3 mΩ
Degree of protection	IP 67
Mechanical operation	> 100 mating cycles

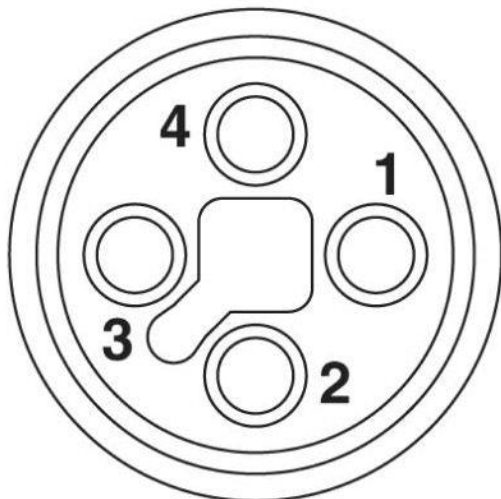
Creator: MOKO2/PDP Released: IVSE1/PDP	Document: DB22262015EN Version: 02	Page 1 of 3
---	---------------------------------------	-------------

22262015	DATA SHEET	
Valid from: 12.09.2019	AB-C4-M12FST-M20-PO	

Technical drawings and dimensions




Pole arrangement

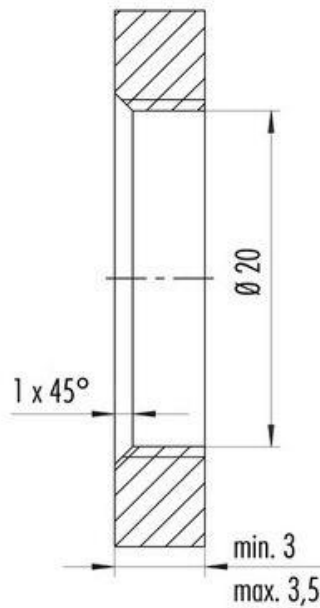
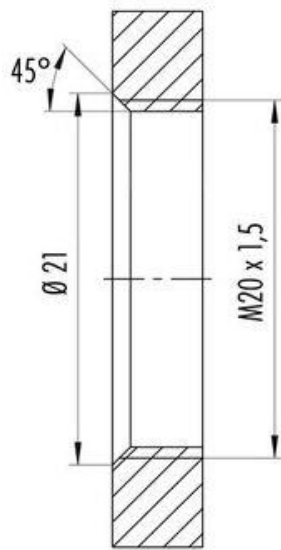


Front view - male side

Creator: MOKO2/PDP Released: IVSE1/PDP	Document: DB22262015EN Version: 02	Page 2 of 3
---	---------------------------------------	-------------

22262015	DATA SHEET	
Valid from: 12.09.2019	AB-C4-M12FST-M20-PO	

Mounting



Anzugsdrehmoment/Tightening moment
M20 x 1,5 5 Nm

Note

Applicable hex nut Lapp 5210 3020 SKINDICHT SM-M-20x105

Application range

Automation, industrial machinery and plant engineering

Note

Photographs are not true to scale and do not represent detailed images of the respective products.

Creator: MOKO2/PDP Released: IVSE1/PDP	Document: DB22262015EN Version: 02	Page 3 of 3
---	---------------------------------------	-------------