


22262010	DATA SHEET	
Valid from: 12.09.2019	AB-C4-M12MST-PG11	

Description

M12 Power connector, male, straight, 4-pos.,
T-coded, screw connection, metal knurl,
cable screw 8 - 10 mm



Common values

Connector / Type	cable connector
M12 coding	T Power
Latching mechanism	Screwed
Cable outlet	8 - 10 mm
Wire gauge (mm)	0,75 - 1,50 mm ²
Wire gauge (AWG)	18 - 16
Upper temperature	+ 85 °C
Lower temperature	- 40 °C
Material of contact	CuZn
Material of contact surface	Au
Material of contact body	PA
Material of housing	PA
Material of cable seal	NBR
Tightening torque	0,6 Nm (M12-knurl) 1 Nm ... 1,4 Nm (screw down nut with sleeve housing) 0,6 Nm (connector module with sleeve housing) 0,4 Nm (screw terminal)

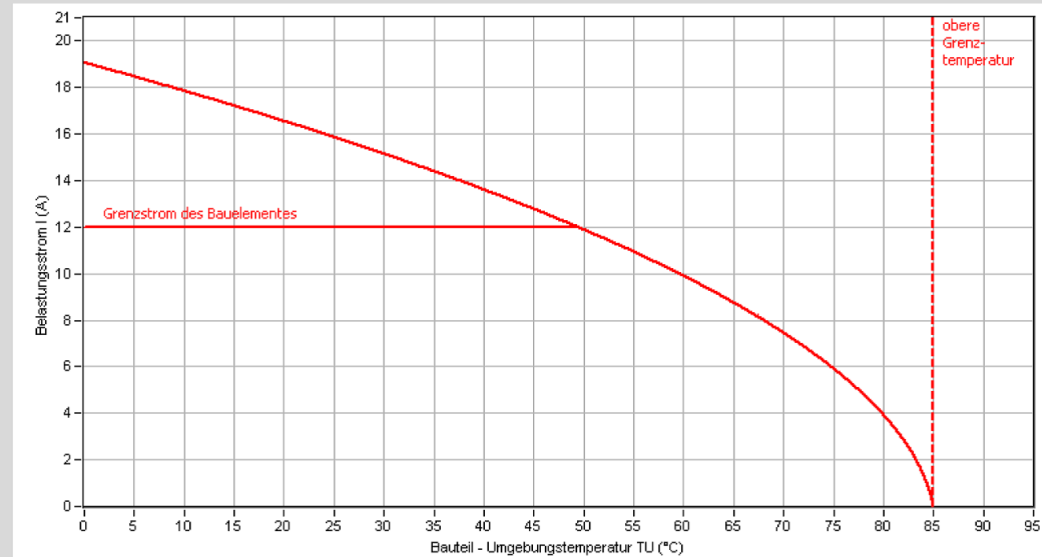
Electrical values

Rated voltage	60 V
Rated impulse voltage	1500 V
Pollution degree	3
Overvoltage category	III
Material group	III
Rated current (40°C)	12 A
Contact resistance	≤ 3 mΩ
Degree of protection	IP 67
Mechanical operation	>100 mating cycles

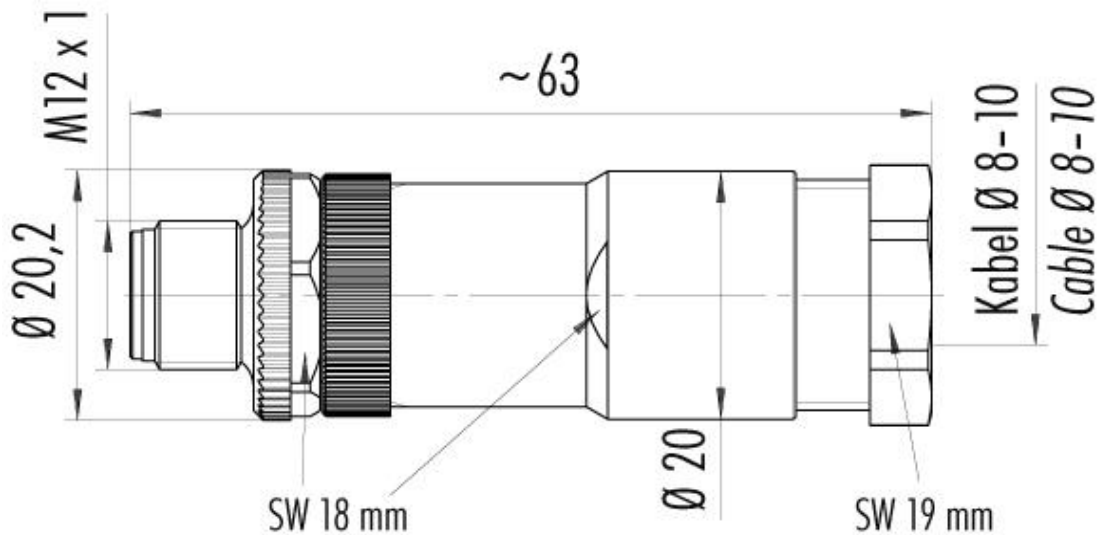
Creator: MOKO2/PDP Released: IVSE1/PDP	Document: DB22262010EN Version: 02	Page 1 of 3
---	---------------------------------------	-------------


Derating Diagramm

Strombelastbarkeitskurve (Derating Diagramm)

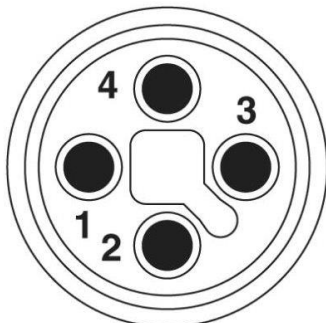


Technical drawings and dimensions



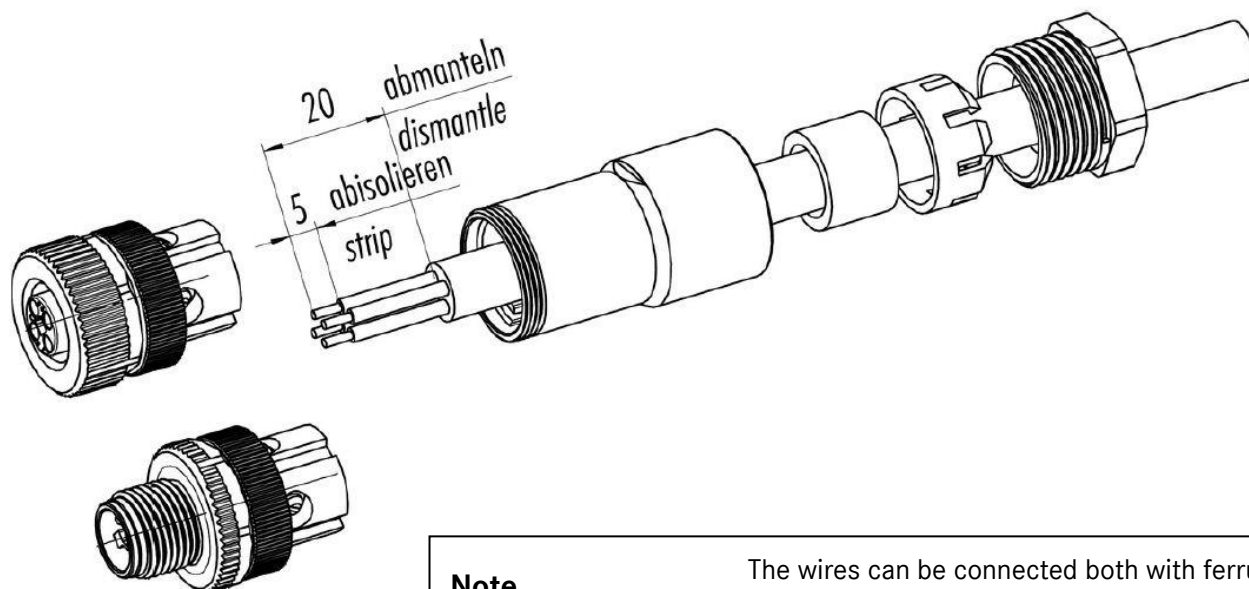
22262010	DATA SHEET	
Valid from: 12.09.2019	AB-C4-M12MST-PG11	

Pole arrangement



Schemazeichnung
Polbild M12-Stecker, 4-polig, T-kodiert, Ansicht Stiftseite

Mounting



Note

The wires can be connected both with ferrules and without ferrules

Application range

Automation, industrial machinery and plant engineering

Note

Photographs are not true to scale and do not represent detailed images of the respective products.