


22262016	DATA SHEET	
Valid from: 12.09.2019	AB-C4-M12MST-M16-0,2	

Description

M12 Power connector, male, flush-type, 4-pos.,
T-coded, front / screw mounting with M16 thread,
0.2 m litz wire



Common values

Connector type	flush-type connector with connected PVC litz wire
M12 coding	T Power
Upper temperature	+ 85 °C
Lower temperature	- 40 °C
Material of contact	CuZn
Material of contact surface	Au
Material of contact body	PA
Material of housing	PA, zinc diecasting nickel plated
Material of cable seal	NBR
Locking torque	0,6 Nm (M12-knurl) 1 Nm ... 1,4 Nm (screw down nut with sleeve housing) 0,6 Nm (connector module with sleeve housing) 0,4 Nm (screw terminal)


Electrical values

Rated voltage	60 V
Rated impulse voltage	1500 V
Pollution degree	3
Overvoltage category	III
Material group	III
Rated current (40°C)	12 A
Contact resistance	≤ 3 mΩ
Degree of protection	IP 67
Mechanical operation	>100 mating cycles

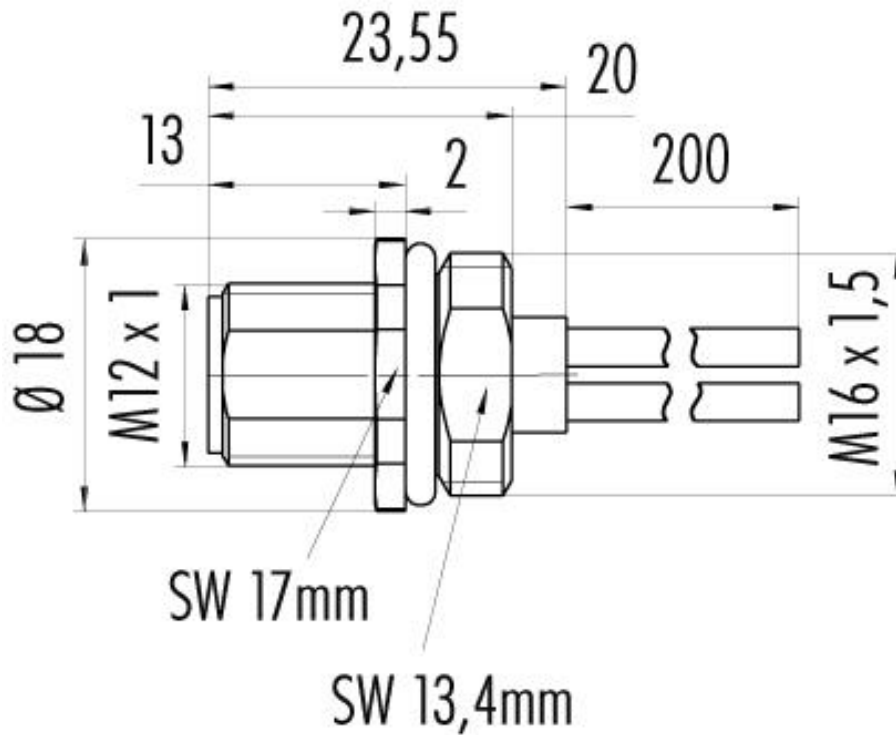
Cable

Cable type	PVC single litz wire
Cable length	0.2 m
AWG	16
Conductor coloring	black, brown, blue, white
Construction	41 x 0.203 mm
Isolation	PVC (105 °C), flame-retardant to UL 94 V0
Material of conductor	tinned Cu-litz wire

Creator: MOKO2/PDP Released: IVSE1/PDP	Document: DB22262016EN Version: 02	Page 1 of 3
---	---------------------------------------	-------------

22262016	DATA SHEET	
Valid from: 12.09.2019	AB-C4-M12MST-M16-0,2	

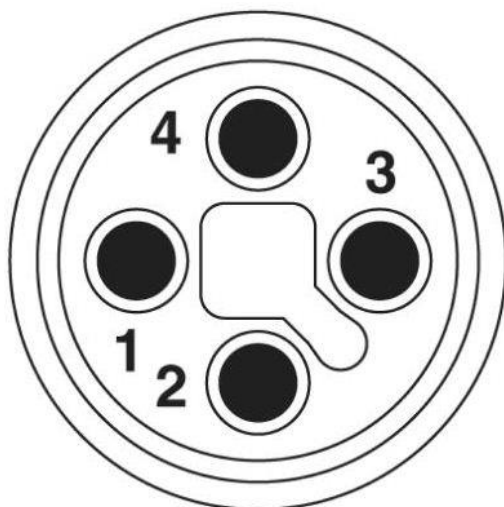
Technical drawings and dimensions



Note


Hex nut (e.g. LAPP 22260110) is not part of delivery

Pole arrangement

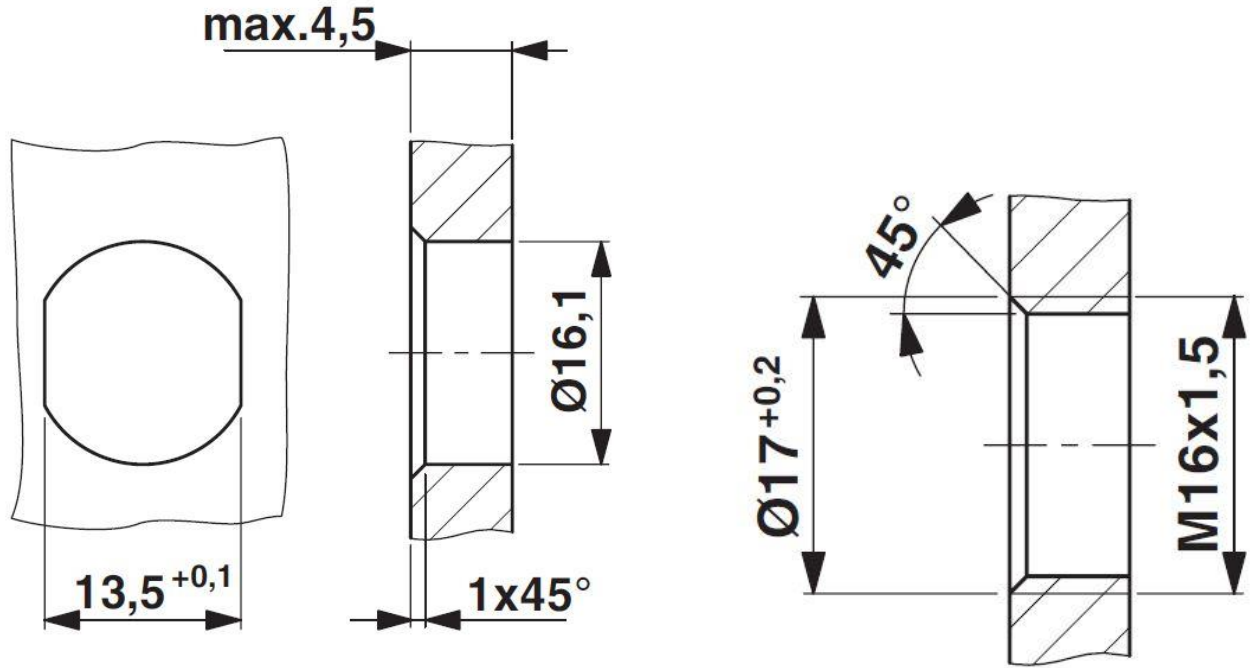


Front view - male side

Creator: MOKO2/PDP Released: IVSE1/PDP	Document: DB22262016EN Version: 02	Page 2 of 3
---	---------------------------------------	-------------

22262016	DATA SHEET	
Valid from: 12.09.2019	AB-C4-M12MST-M16-0,2	

Mounting



Application range

Automation, industrial machinery and plant engineering

Note

Photographs are not true to scale and do not represent detailed images of the respective products.

Creator: MOKO2/PDP Released: IVSE1/PDP	Document: DB22262016EN Version: 02	Page 3 of 3
---	---------------------------------------	-------------