


|                           |                           |   |
|---------------------------|---------------------------|---|
| 22262049                  | <b>DATA SHEET</b>         |  |
| Valid from:<br>12.09.2019 | <b>AB-C4-M12MS-PG7-VA</b> |   |

## Product description

Sensor/Actuator connector, straight plug, 4-pos., M12, screw connection, stainless steel, cable screw connection Pg7



## General properties

|  |                  |
|--|------------------|
| Ambient temperature                        | -25 to +85 °C    |
| Protection degree                          | IP 67            |
| Number of contacts                         | 4                |
| Outer diameter, cable                      | 4.0 – 6.0 mm     |
| Termination type                           | screw connection |
| Termination cross section, AWG             | 24 - 18          |
| Termination cross section, mm <sup>2</sup> | 0.25 – 0.75      |
| Mating cycles                              | ≥ 100            |

## Electrical properties

|                                |          |
|--------------------------------|----------|
| Rated voltage                  | 250 V    |
| Contact resistance             | ≤ 3 mΩ   |
| Insulation resistance          | ≥ 10 TΩ  |
| Proof voltage, contact-contact | ≥ 1.4 kV |
| Proof voltage, contact-housing | ≥ 1.4 kV |
| Rated current                  | 4 A      |
| Overvoltage category           | II       |
| Pollution degree               | 3        |


## Materials

|  |                 |
|--|-----------------|
| Contact carrier  | PA              |
| Contact carrier, Inflammability class in accordance with UL 94 | V0              |
| Contacts, base material  | CuZn            |
| Contacts, surface  | Au              |
| Locking nut  | stainless steel |
| Grip body  | PA              |
| Sealing  | NBR / FKM       |

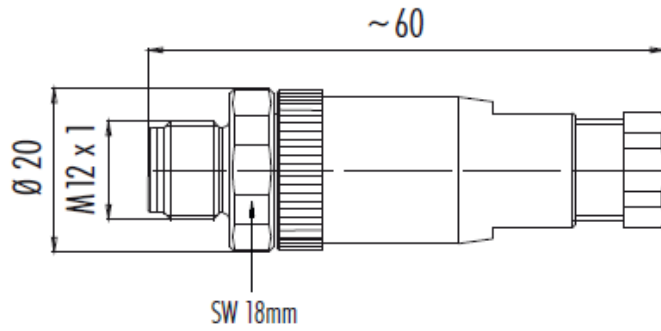
## Standards

|                  |  |
|------------------|--|
| Product standard | M12-Connector acc. to DIN EN 61076-2-101 |
|------------------|--|

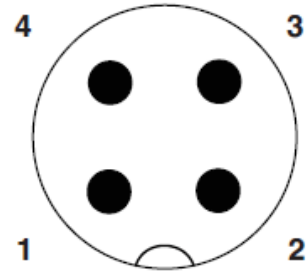
|   |                                       |             |
|---|---------------------------------------|-------------|
| Creator: MANA2/PDP<br>Released: IVSE1/PDP | Document: DB22262049EN<br>Version: 05 | Page 1 of 2 |
|---|---------------------------------------|-------------|

|                           |                           |   |
|---------------------------|---------------------------|---|
| 22262049                  | <b>DATA SHEET</b>         |  |
| Valid from:<br>12.09.2019 | <b>AB-C4-M12MS-PG7-VA</b> |   |

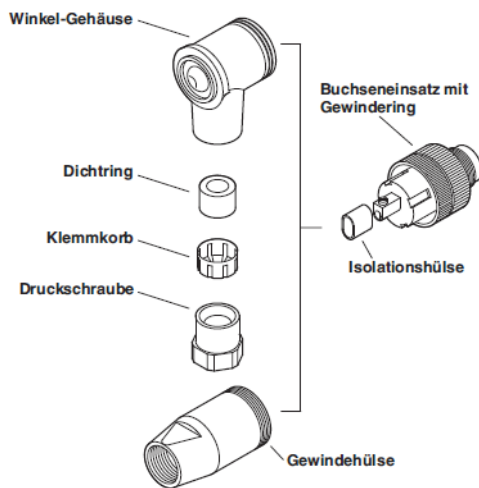
### Drawings



### Pin assignment



### Assembly instruction



### Application range

Automation, industrial machinery and plant engineering

### Note

Photographs are not true to scale and do not represent detailed images of the respective products.

|   |                                       |             |
|---|---------------------------------------|-------------|
| Creator: MANA2/PDP<br>Released: IVSE1/PDP | Document: DB22262049EN<br>Version: 05 | Page 2 of 2 |
|---|---------------------------------------|-------------|