


22260956	DATA SHEET	
Valid from: 17.09.2018	AB-PB-M12MA-2,0PUR	

Description

- Bus system cable, 2-pins, shielded, PUR halogen-free, violet
- PROFIBUS
- Angled M12-plug on free conductor end
- Length of 2m

General characteristics

Number of pins	2
Status display	no
AWG	24
UL-AWM-Style	21198 (30 °C / 300 V)
Ambient temperature	-25 °C to +90 °C (-13 °F to 194 °F) (connector) -40 °C to +80 °C (-40 °F to 176 °F) (cable fixed installation) -30 °C to +70 °C (-22 °F to 158 °F) (cable flexible)
Degree of protection	IP 65 / IP 67
Coding	B-inverse


Mechanical characteristics

Conductor cross section	0.25 mm ²
Cable outer diameter	7.8 mm ±0.2 mm
Core identification	Red, green
Sheath colour	Violet, similar to RAL 4001
Outer sheath, material	PUR
Core insulation, material	Foamed PE
Bending radius (min.)	78 mm
Bending cycles (max.)	5000000
Travel speed	3 m/s
Acceleration	3 m/s ²
Inflammability class acc. to UL 94	V0
Flame resistance	UL 1581, Sec. 1060 (FT-1) IEC60332-1

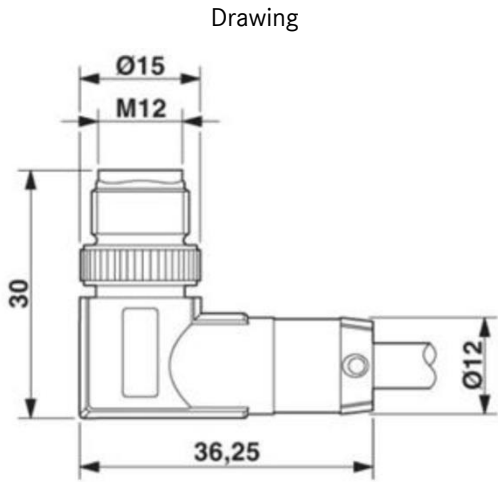
Electrical characteristics

Rated voltage	250 V
Rated current	4 A
Overvoltage category	II
Pollution degree	3
Volume resistance	5 mΩ
Conductor resistance	157.2 Ω/km
Insulation resistance	5 GΩ*km
Working capacity	30 nF
Wave impedance	Nom. 150 Ω
Test voltage (core/core)	1500 V

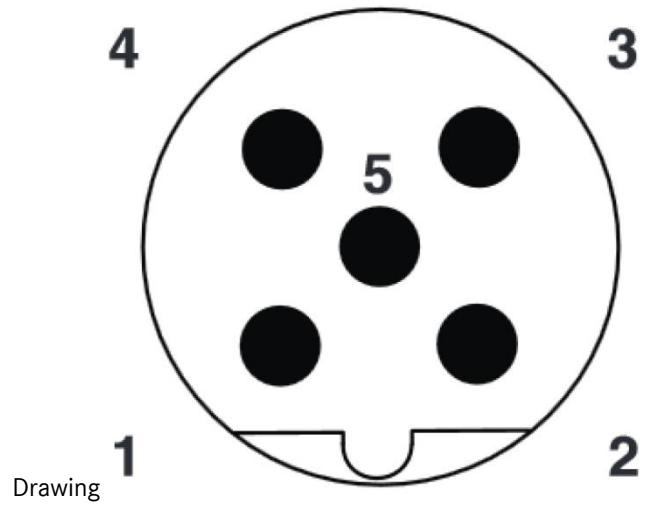
Creator: MOKO2/PDP Released: IVSE1/PDP	Document: DB22260956EN Version: 01	Page 1 of 2
---	---------------------------------------	-------------

22260956	DATA SHEET	
Valid from: 17.09.2018	AB-PB-M12MA-2,0PUR	

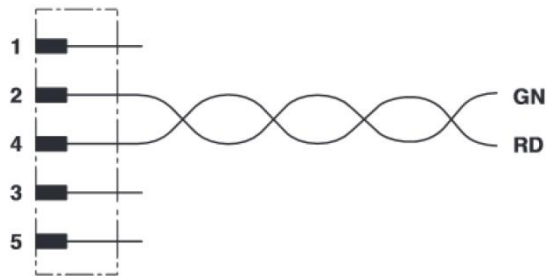
Technical drawing



M12-plug, angled, shielded



Circuit diagram



Contact assignment the M12 connector

Application range

Automation, industrial machinery and plant engineering

Note

Photographs are not to scale and do not represent detailed images of the respective products..

Creator: MOKO2/PDP Released: IVSE1/PDP	Document: DB22260956EN Version: 01	Page 2 of 2
---	---------------------------------------	-------------