


44429310	DATA SHEET	
Valid from: 17.09.2018	EPIC® LS1.5 D6	

Description

- Circular connectors for servomotors and power supply
- More power for servo motors
- With the proven vibrationsafe contacts
- EMC version for cables with large cross-sections



General Characteristics

Series	LS 1.5
Version	for female contacts
Pin configuration	3+PE+2 / 3+PE+4
Rated voltage (V)	630 V (3,6mm Contacts) 250 V (2mm Contacts)
Rated impulse voltage	6 kV (3,6mm Contacts) 4 kV (2mm Contacts)
Rated current (A)	70 A (3.6-mm contacts) at 25 °C 30 A (2-mm contacts) at 25 °C
Contacts	Gold plated brass
Number of contacts	3+PE+2 / 3+PE+4
Termination methods	Crimp termination: 0.75 - 10 mm ² (3.6 mm contacts) Crimp termination: 0.14 - 4.0 mm ² (2 mm contacts)
Protection	IP 67
Cycle of mechanical operation	50
Temperature range	-20°C to +125°C
Degree of soiling	3


Product Variations

Article- Number	Article	Cable clamping range (mm)	Pin configuration
Type LS1.5 D6 for female contacts			
44429310	EPIC® LS1.5 D6	9 - 14	3+PE+2
44429311	EPIC® LS1.5 D6	14 - 20,5	3+PE+2
44429312	EPIC® LS1.5 D6	20,5 - 26,5	3+PE+2
44429313	EPIC® LS1.5 D6	9 - 14	3+PE+4
44429314	EPIC® LS1.5 D6	14 - 20,5	3+PE+4
44429315	EPIC® LS1.5 D6	20,5 - 26,5	3+PE+4

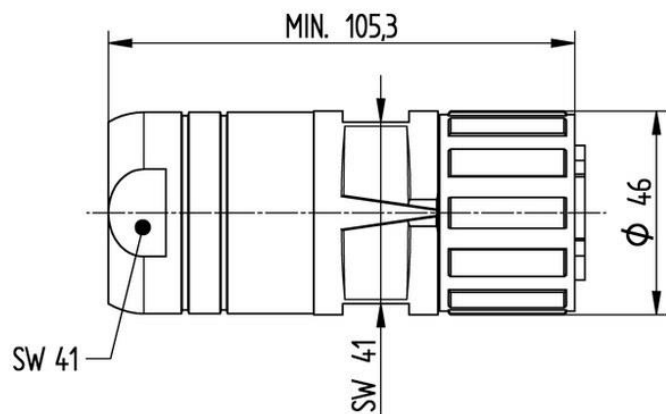
Materials and Surfaces

Housing	Nickel-plated zinc die-casting, nickel-plated brass
Insert	PA
Seal	FPM

Creator: MANA2/PDP Released: IVSE1/PDP	Document: D DB44429310EN Version: 01	Page 1 of 2
---	---	-------------

44429310	DATA SHEET	
Valid from: 17.09.2018	EPIC® LS1.5 D6	

Technical Drawing



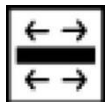
Wide clamping range



Industrial machinery and plant engineering



Mechanical resistance



Optimum strain relief



Robust



Waterproof

Info

EMC protection

Application range

Plant engineering

Servo drives and servo assemblies

Remark

Photographs are not to scale and do not represent detailed images of the respective products.

Creator: MANA2/PDP Released: IVSE1/PDP	Document: D DB44429310EN Version: 01	Page 2 of 2
---	---	-------------