


44429306	DATA SHEET	
Valid from: 17.09.2018	EPIC® LS1.5 A3	

Description

- Circular connectors for servomotors and power supply
- More power for servo motors
- With the proven vibrationsafe contacts
- EMC version for cables with large cross-sections



General Characteristics

Series	LS 1.5
Version	for male contacts
Pin configuration	3+PE+2 / 3+PE+4
Rated voltage (V)	630 V (3,6mm Contacts) 250 V (2mm Contacts)
Rated impulse voltage	6 kV (3,6mm Contacts) 4 kV (2mm Contacts)
Rated current (A)	70 A (3.6-mm contacts) at 25 °C 30 A (2-mm contacts) at 25 °C
Contacts	Gold plated brass
Number of contacts	3+PE+2 / 3+PE+4
Termination methods	Crimp termination: 0.75 - 10 mm ² (3.6 mm contacts) Crimp termination: 0.14 - 4.0 mm ² (2 mm contacts)
Protection	IP 67
Cycle of mechanical operation	50
Temperature range	-20°C to +125°C
Degree of soiling	3


Product Variations

Article- Number	Article	Fastening type	Pin configuration
Type LS1.5 A3 for male contacts			
44429306	EPIC® LS1.5 A3	Ø4,2mm (4x)	3+PE+2
44429307	EPIC® LS1.5 A3	Ø4,2mm (4x)	3+PE+4

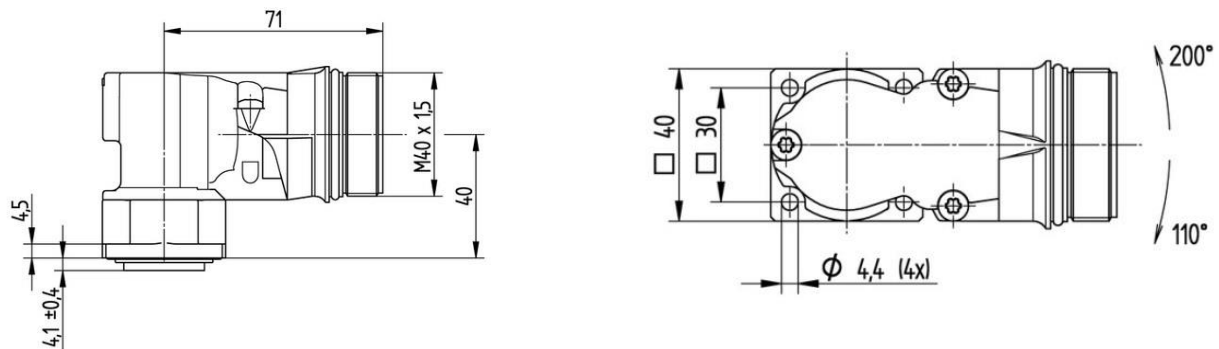
Materials and Surfaces

Housing	Nickel-plated zinc die-casting, nickel-plated brass
Insert	PA
Seal	FPM

Creator: MANA2/PDP Released: IVSE1/PDP	Document: DB44429306EN Version: 01	Page 1 of 2
---	---------------------------------------	-------------

44429306	DATA SHEET	
Valid from: 17.09.2018	EPIC® LS1.5 A3	

Technical Drawings



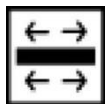
Wide clamping range



Industrial machinery and plant engineering



Mechanical resistance



Optimum strain relief



Robust



Waterproof

Info

Rotateable with 310° cable outlet

Application range

Plant engineering

Servo drives and servo assemblies

Remark

Photographs are not to scale and do not represent detailed images of the respective products.

Creator: MANA2/PDP Released: IVSE1/PDP	Document: DB44429306EN Version: 01	Page 2 of 2
---	---------------------------------------	-------------