


| | | |
|---------------------------|--|---|
| 44428235 | DATA SHEET |  |
| Valid from: 11.04.2019 | EPIC® SOLAR 4 PLUS MALE CONNECTOR | |

Description

- Low contact-resistance for efficient power transmission
- Crimp connection for field mounting
- Suitable for EPIC® SOLAR 4 Plus Female Connector and:

PV Cable

Name

LAPP KABEL H1Z2Z2-K

Code

H1Z2Z2-K

Cross Section

4,0mm² ; 6,0mm² ; 10,0mm²



General Characteristics


| | |
|-------------------------|--------------------|
| Series | EPIC® SOLAR 4 Plus |
| Rated voltage (V) | 1500 V AC/DC |
| Rated impulse voltage | 16 kV |
| Contact resistance | < 0.5 mOhm |
| Protection | IP 68, (10 h/1m) |
| Protection class | II |
| Temperature range | -40°C to +85°C |
| Degree of soiling | 3 |
| Upper Limit Temperature | 105°C |

Materials and Surfaces

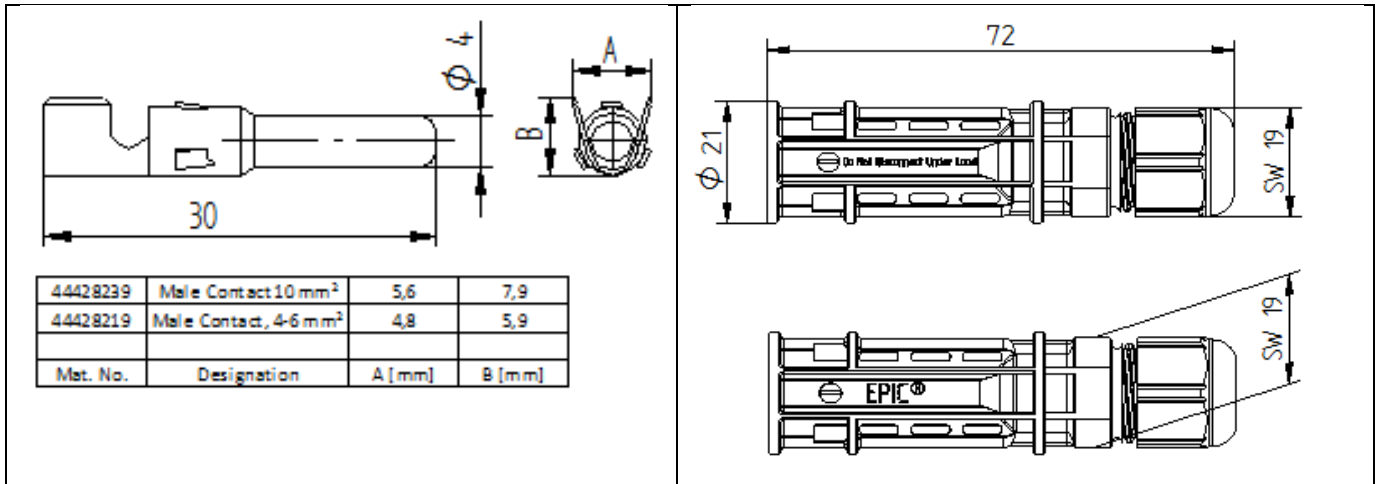
| | |
|-----------------|--------------------------|
| Insulating Body | Polyamid |
| Nut | Polyamid |
| Contact | Copper alloy, tin plated |

| Article Number | Article | Cross section [mm ²] | Cable clamping range [mm] | Rated current [A] |
|---|--|----------------------------------|---------------------------|-------------------|
| EPIC® SOLAR 4 Plus male field-mountable, inclusive contacts | | | | |
| 44428235 | EPIC® SOLAR 4 Plus M 4 mm ² - 6 mm ² | 4 - 6 | 5,2 - 7,1 | 30 |
| 44428237 | EPIC® SOLAR 4 Plus M 10 mm ² | 10 | 5,2 - 7,1 | 30 |
| EPIC® SOLAR 4 Plus male contacts as spare part | | | | |
| 44428219 | EPIC® SOLAR 4 Plus PIN M 4-6 mm ² | 4 - 6 | | |
| 44428239 | EPIC® SOLAR 4 Plus PIN M 10 mm ² | 10 | | |

| | | |
|---|---------------------------------------|-------------|
| Creator: JOKR1/PDP Released: DAMU1/PDP | Document: DB44428235EN Version: 01 | Page 1 of 2 |
|---|---------------------------------------|-------------|

| | | |
|---------------------------|--|---|
| 44428235 | DATA SHEET |  |
| Valid from: 11.04.2019 | EPIC® SOLAR 4 PLUS MALE CONNECTOR | |

Technical Drawings



Solar Energy



UV-resistant



Waterproof

Info

4 mm connector system with double hook
Field-mountable solar connector

Application range

Photovoltaic plants
Crystalline and thin-film constructions
Solartracker

Product features

4 mm connector system with double hook
Inclusive contacts

Remark

Photographs are not to scale and do not represent detailed images of the respective products.

| | | |
|---|---------------------------------------|-------------|
| Creator: JOKR1/PDP Released: DAMU1/PDP | Document: DB44428235EN Version: 01 | Page 2 of 2 |
|---|---------------------------------------|-------------|