

44424017	DATA SHEET
Valid from: 15.12.2020	POWER MODULE MSC-HHC 2 / MCB-HHC 2

Description

- The mixed assembly guarantees high flexibility. For applications in mechanical and plant engineering, for printing machines and slide-in technology.
- Very high current transfer
- Crimp connection for permanent vibration proof contact



General Characteristics

Series	POWER Modul
Version	Male / Female (Article 44424018)
Termination Methods	Crimp termination: 16.0 – 35.0 mm ²
Temperature Range	-40°C to +125°C

Artikel No.	Modul	VPE
44424017*	Male	10
44424018*	Female	10

Mechanical Characteristics

Cycles of mechanical operation	500
--------------------------------	-----

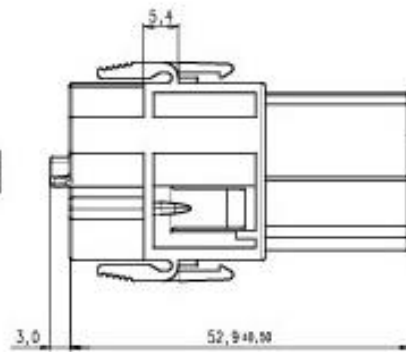
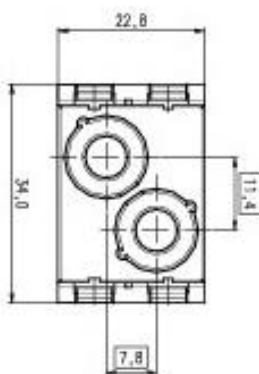
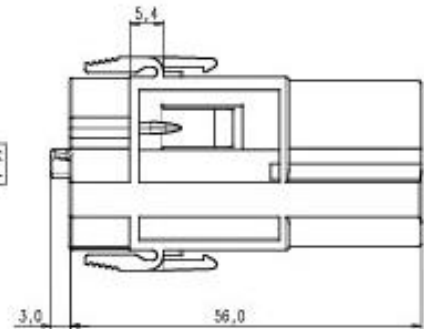
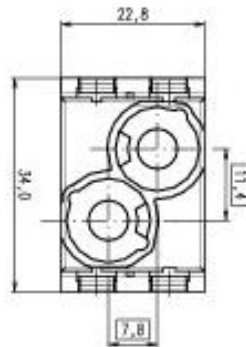
Electrical Characteristics

Rated Voltage	1000 V
Rated Voltage, UL/CSA	600 V
Rated impulse voltage	8 kV
Rated Current	150 A
Pollution Degree	3

Materials and Surfaces

Modul	PA6
Flammability Class according to UL 94	V0

44424017

DATA SHEETValid from:
15.12.2020**POWER MODULE MSC-HHC 2 / MCB-HHC 2****Technical Drawing**

Automation



Industrial machinery and plant engineering



Wind Energy

Info

High current for sufficient power reserves
Versatile functions in one connector

Application range

Mechanical engineering
Robotics industry
Plant engineering
Renewable energy

Remark

Due to reduced cross sections at PE contacts of frames, the PE contact has to be additionally protected against short circuits by using a protection circuit offering a sufficiently short breaking time (<0.25s).

Photographs are not to scale and do not represent detailed images of the respective products.

* Trade product, no Lapp product