


44423213	DATA SHEET	
Valid from: 17.09.2018	EPIC® MHB 2 CM	

Description

- High power module 2pole for compact power transmission
- Crimp connection for permanent vibration proof contact
- EPIC® MH system is mateable with the market standard
- The mix of different functions in one plug guarantees high flexibility



General characteristics

Contact type	socket
Number of contacts	2
Mating cycles	500
Material	Polyamide, glass fibre-reinforced
Inflammability class acc. with UL 94	V0
Pollution degree	3
Temperature range	-40° C to +125° C
Termination methods	crimp termination: 10 – 35 mm ² EPIC® MH 6 multi-frame EPIC® MH 10 multi-frame EPIC® MH 16 multi-frame EPIC® MH 24 multi-frame
Suitable frame	EPIC® MH 8.0mm
Suitable contacts	

Electrical characteristics

Rated voltage	1000 V
Contact resistance	< 5 mΩ
Rated impulse voltage	8 kV
Rated current	100 A

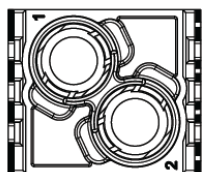
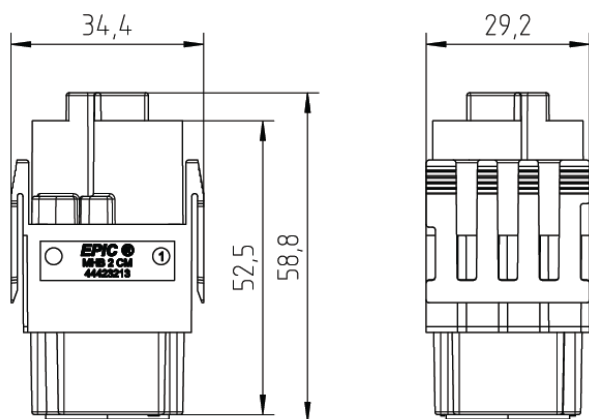
Standards/Approvals

Fire protection on railway vehicles	according EN 45545-2 requirement sets R22 and R23 hazard level HL1, HL2 and HL3
-------------------------------------	---

Creator: JOKR1/PDP Released: IVSE1/PDP	Document: DB44423213EN Version: 02	Page 1 of 2
---	---------------------------------------	-------------

44423213	DATA SHEET	
Valid from: 17.09.2018	EPIC® MHB 2 CM	

Drawings



Note

Photographs are not to scale and do not represent detailed images of the respective products.

Creator: JOKR1/PDP Released: IVSE1/PDP	Document: DB44423213EN Version: 02	Page 2 of 2
---	---------------------------------------	-------------