


44423144	DATA SHEET	
Valid from: 17.09.2018	EPIC® POWER M12	

Description:

- Circular connector for servo engines and power supply
- Standard M20x1,5 version with screw clamp termination
- High-grade gold-plated contacts



Male connector

Female connector

Product variants:

Article number	Type	Pin arrangement	Mounting type
44423144	Male, flange connector	3+PE; S-Coded	M20x1,5
44423145	Female, flange connector	3+PE; S-Coded	M20x1,5

General characteristics:

Series	POWER M12
Coding	S-Coded
Type	Male / female flange connector
Pin configuration	3+PE
Rated voltage (V)	630 V
Rated impulse voltage (V)	6 kV
Degree of soiling	3
Overvoltage category	III
Insulation material group male	II
Insulation material group female	III
Rated current (A)	12 A
Contact resistance	≤ 5 mΩ
Termination methods	Screw clamp termination up to 1,5 mm ² (AWG 16)
Mounting type	M 20x1,5
Protection	IP 68 according to IEC 60529
Cycles of mechanical operation	>100
Temperature range	-40°C to +85°C
Tightening torque	0,6 Nm (M12 knurl) 2 Nm (M20x1,5)


Material/surface:

Contact material	CuZn (Brass)
Contact plating	Au (Gold)
Contact support material	PA (Polyamide)

Standard:

Product standard	DIN EN 61076-2-111 (Draft)
------------------	----------------------------

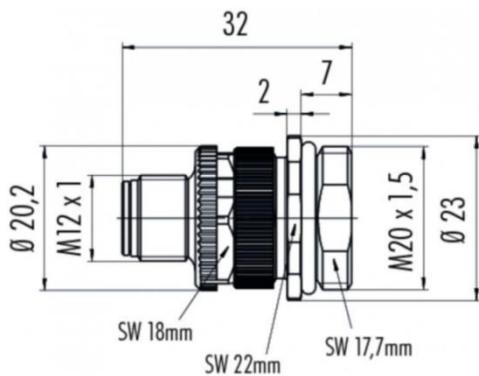
Creator: STKU3/PDP Released: IVSE1/PDP	Document: DB44423144EN Version: 01	Page 1 of 2
---	---------------------------------------	-------------

44423 144	DATA SHEET	
Valid from: 17.09.2018	EPIC® POWER M 12	

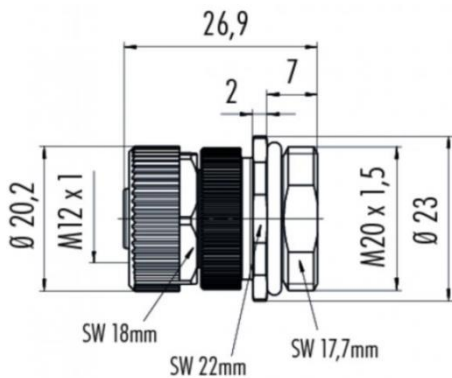
Technical drawing:

Pin-arrangement:

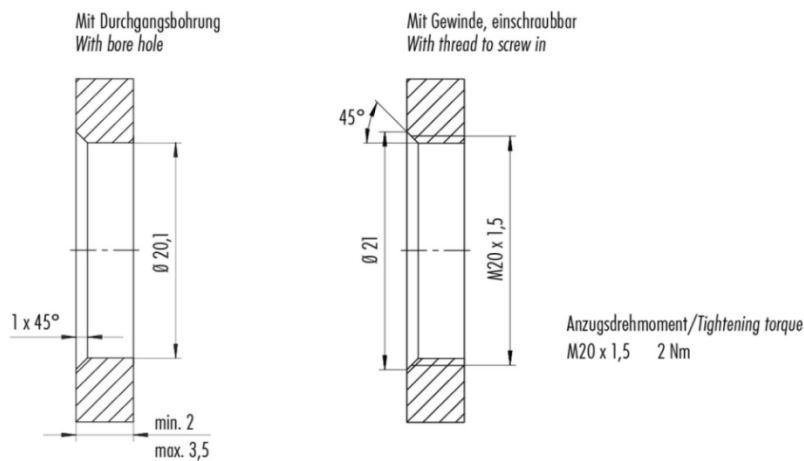
Male connector



Female connector



Mounting cutout:



Application range:

Power supply for compact engines.

Remark:

Photographs are not to scale and do not represent detailed images of the respective products. Further information can be found in the product standard.

Creator: STKU3/PDP Released: IVSE1/PDP	Document: DB44423144EN Version: 01	Page 2 of 2
---	---------------------------------------	-------------