


44424004	DATA SHEET	
Valid from: 17.09.2018	EPIC® MC MODUL PNEUMATIC 1pole	

Description

- The mixed assembly guarantees high flexibility. For applications in mechanical and plant engineering, for printing machines and slide-in technology.
- Assembly of individual connectors, suitable for different applications



General Characteristics

Article- number	Article	Version	Contacts	Max. pressure
Module: Pneumatic 1pole				
44424004	MCS 1x2,5 PNEU	Male	1	10
44424005	MCB 1x2,5 PNEU	Female with valve	1	10
44424006	MCS 1x4,0 PNEU	Male	1	10
44424007	MCB 1x4,0 PNEU	Female with valve	1	10

Termination Methods

Temperature Range

Plug-in connection:
for hose with inner diameter Ø 2.5 mm/4.0mm
-20°C to +100°C


Mechanical Characteristics

Cycle of mechanical operation 100

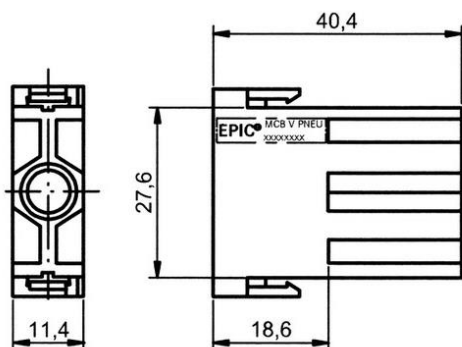
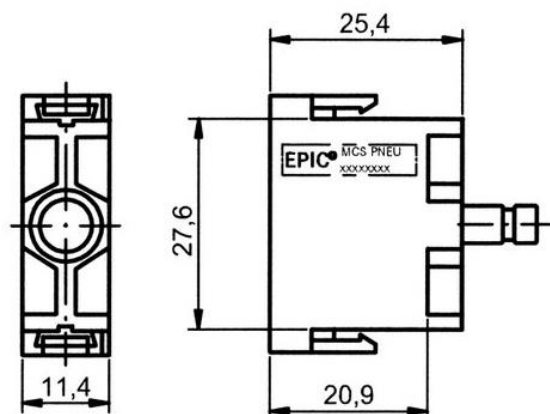
Materials and Surfaces

Contact Brass

Creator: MANA2/PDP Released: IVSE1/PDP	Document: DB44424004EN Version: 01	Page 1 of 2
---	---------------------------------------	-------------

44424004	DATA SHEET	
Valid from: 17.09.2018	EPIC® MC MODUL PNEUMATIC 1pole	

Technical Drawing



Automation



Industrial machinery and plant engineering



Wind Energy

Info

Pneumatic modules with valve for 2.5 and 4mm tubings

Application range

Plant engineering
Printing machines
Control engineering

Remark

Photographs are not to scale and do not represent detailed images of the respective products.

Creator: MANA2/PDP Released: IVSE1/PDP	Document: DB44424004EN Version: 01	Page 2 of 2
---	---------------------------------------	-------------