


44420050	DATA SHEET	
Valid from: 28.07.2021	EPIC[®] SIGNAL M23 B2	

Description

- Circular connectors for Servo Cables and encoders
- Housings are very flexible - cable connectors with wide clamping range, receptacle housings for assembling the inserts from the front and rear
- Harnessed insulation body can easily inserted from back side in already mounted housing



General characteristics

Series	SIGNAL M23
Version	panel-mount box, rear wall mounting
Protection rating	IP 68 (10 h / 1 m)
Temperature range	-25 °C to +125 °C

Product variations

Article number	Coding	Fastening type	PU
44420050	black (N)	Ø2,7 mm (4x)	5
44420051	black (N)	Ø2,7 mm (4x)	20
44420035	red (+20°)	Ø2,7 mm (4x)	5
44420049	red (+20°)	Ø2,7 mm (4x)	20
44420052	blue (-20°)	Ø2,7 mm (4x)	5
44420053	blue (-20°)	Ø2,7 mm (4x)	20

Materials and surfaces

Housing	Nickel plated zinc die-casting
Sealing	FPM


Approvals

VDE-Approval, VDE-REG.-Nr.	C024
UL File Number	E249137

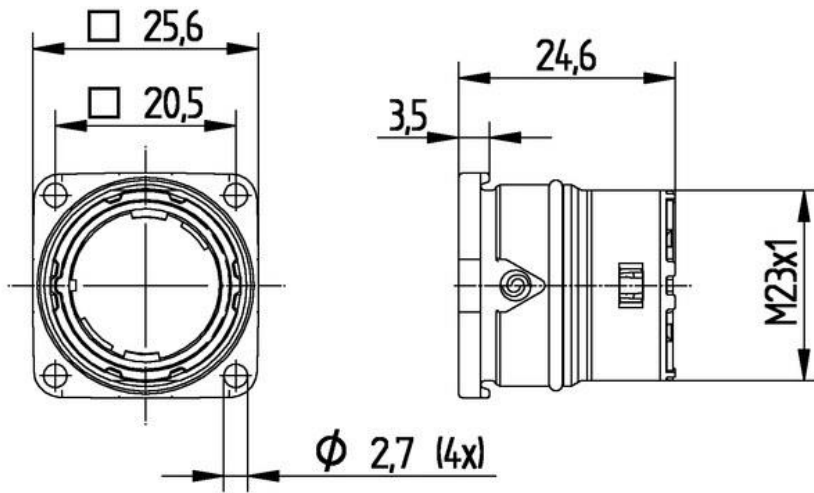
Standard

Safety Standard	IEC 61984; UL2238; CSA 22.2 182.3
-----------------	-----------------------------------

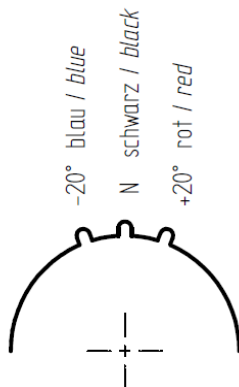
Creator: MANA2/PDP Released: IVSE1/PDP	Document: DB44420050EN Version: 04	Page 1 of 3
---	---------------------------------------	-------------

44420050	DATA SHEET	
Valid from: 28.07.2021	EPIC [®] SIGNAL M23 B2	

Drawings




Coding



B2
Ansicht steckseitig
View from mating



Creator: MANA2/PDP Released: IVSE1/PDP	Document: DB44420050EN Version: 04	Page 2 of 3
---	---------------------------------------	-------------

44420050	DATA SHEET	
Valid from: 28.07.2021	EPIC[®] SIGNAL M23 B2	



Good chemical resistance



Industrial machinery and plant engineering



Robust



Wind energy

Application range

Plant engineering
 Servo drives and Servo assemblies
 Measurement and control technology

Remark

Photographs are not to scale and do not represent detailed images of the respective products.

Creator: MANA2/PDP Released: IVSE1/PDP	Document: DB44420050EN Version: 04	Page 3 of 3
---	---------------------------------------	-------------