


|                           |                                       |   |
|---------------------------|---------------------------------------|---|
| 44420009                  | <b>DATA SHEET</b>                     |  |
| Valid from:<br>28.07.2021 | <b>EPIC<sup>®</sup> SIGNAL M23 F7</b> |   |

## Description

- Circular connectors for servo cables and encoders
- Low-resistance screen contact, optimum EMC protection
- Use of high-quality materials for increased reliability



## General characteristics

|                   |   |
|-------------------|---|
| Series            | SIGNAL M23                                      |
| Version           | panel-mount connector, front/rear wall mounting |
| Protection rating | IP 68 (10 h / 1 m)                              |
| Temperature range | -25 °C to +125 °C                               |

## Product variations

| Article no. | Coding      | Cable clamping range | Fastening type                  | PU |
|-------------|-------------|----------------------|---------------------------------|----|
| 44420009    | black (N)   | 7,0-10,0             | Ø3,2 mm (4x) M25x1,5 (with nut) | 5  |
| 44420010    | black (N)   | 7,0-10,0             | Ø3,2 mm (4x) M25x1,5 (with nut) | 20 |
| 44420011    | black (N)   | 9,5-13,5             | Ø3,2 mm (4x) M25x1,5 (with nut) | 5  |
| 44420012    | black (N)   | 9,5-13,5             | Ø3,2 mm (4x) M25x1,5 (with nut) | 20 |
| 44420001    | red (+20°)  | 7,0-10,0             | Ø3,2 mm (4x) M25x1,5 (with nut) | 5  |
| 44420002    | red (+20°)  | 7,0-10,0             | Ø3,2 mm (4x) M25x1,5 (with nut) | 20 |
| 44420003    | red (+20°)  | 9,5-13,5             | Ø3,2 mm (4x) M25x1,5 (with nut) | 5  |
| 44420004    | red (+20°)  | 9,5-13,5             | Ø3,2 mm (4x) M25x1,5 (with nut) | 20 |
| 44420005    | blue (-20°) | 7,0-10,0             | Ø3,2 mm (4x) M25x1,5 (with nut) | 5  |
| 44420006    | blue (-20°) | 7,0-10,0             | Ø3,2 mm (4x) M25x1,5 (with nut) | 20 |
| 44420007    | blue (-20°) | 9,5-13,5             | Ø3,2 mm (4x) M25x1,5 (with nut) | 5  |
| 44420008    | blue (-20°) | 9,5-13,5             | Ø3,2 mm (4x) M25x1,5 (with nut) | 20 |

## Materials and surfaces

|         |                                |
|---------|--------------------------------|
| Housing | Nickel plated zinc die-casting |
| Sealing | FPM                            |

## Approvals

|                            |         |
|----------------------------|---------|
| VDE-Approval, VDE-REG.-Nr. | C024    |
| UL File Number             | E249137 |

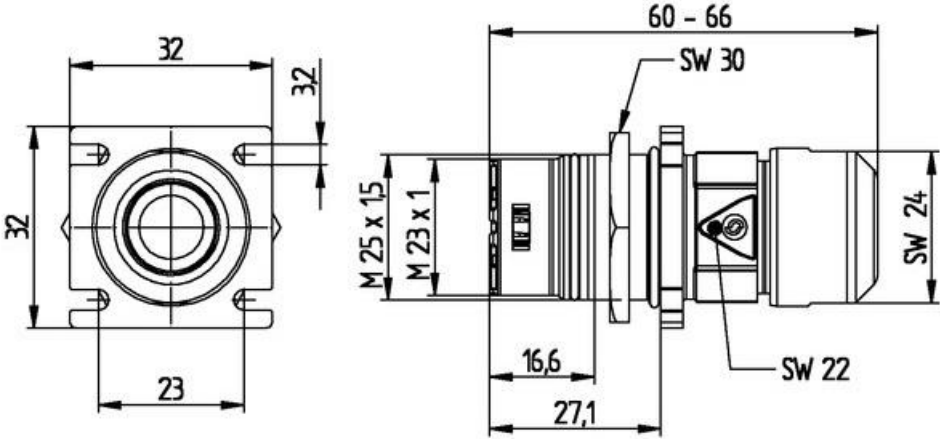
## Standard

|                 |                                   |
|-----------------|-----------------------------------|
| Safety Standard | IEC 61984; UL2238; CSA 22.2 182.3 |
|-----------------|-----------------------------------|

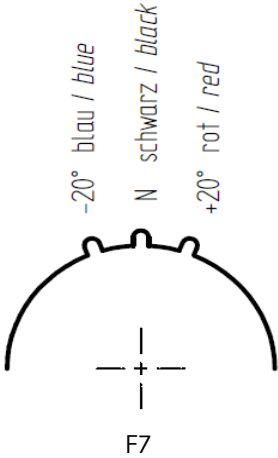
|   |                                       |             |
|---|---------------------------------------|-------------|
| Creator: MANA2/PDP<br>Released: IVSE1/PDP | Document: DB44420009EN<br>Version: 03 | Page 1 of 3 |
|---|---------------------------------------|-------------|

|                           |                                 |   |
|---------------------------|---------------------------------|---|
| 44420009                  | <b>DATA SHEET</b>               |  |
| Valid from:<br>28.07.2021 | EPIC <sup>®</sup> SIGNAL M23 F7 |   |

**Drawings**




**Coding**



Ansicht steckseitig  
view from mating side



|   |                                       |             |
|---|---------------------------------------|-------------|
| Creator: MANA2/PDP<br>Released: IVSE1/PDP | Document: DB44420009EN<br>Version: 03 | Page 2 of 3 |
|---|---------------------------------------|-------------|

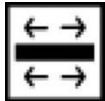
|                           |                                       |   |
|---------------------------|---------------------------------------|---|
| 44420009                  | <b>DATA SHEET</b>                     |  |
| Valid from:<br>28.07.2021 | <b>EPIC<sup>®</sup> SIGNAL M23 F7</b> |   |



Good chemical resistance



Industrial machinery and plant engineering



Optimum strain relief



Robust



Integrated SKINTOP<sup>®</sup> cable gland



Wind energy

### Application range

Plant engineering

Servo drives and Servo assemblies

Measurement and control technology

### Remark

Photographs are not to scale and do not represent detailed images of the respective products.

|   |                                       |             |
|---|---------------------------------------|-------------|
| Creator: MANA2/PDP<br>Released: IVSE1/PDP | Document: DB44420009EN<br>Version: 03 | Page 3 of 3 |
|---|---------------------------------------|-------------|