


44420018	DATA SHEET	
Valid from: 30.06.2022	EPIC® SIGNAL M23 A1 D3,2	

Description

- Circular connectors for Servo Cables and encoders
- Safe fixing with 4 screws
- Permanent vibration protection



General Characteristics

Series	SIGNAL M23
Version	Panel-mount box, front wall mounting
Protection rating	IP 68 (10 h / 1 m)
Temperature range	-25 °C to +125 °C

Product variations

Article number	Coding	Fastening type	PU
44420018	black (N)	Ø3.2mm (4x)	5
44420017	black (N)	Ø3.2mm (4x)	20
44420020	red (+20°)	Ø3.2mm (4x)	5
44420019	red (+20°)	Ø3.2mm (4x)	20
44420016	blue (-20°)	Ø3.2mm (4x)	5
44420015	blue (-20°)	Ø3.2mm (4x)	20

Materials and surfaces

Housing	Zinc die-casting, nickel plated
Sealing	FPM
Plastic intermediate part	PA UL94 V0
Coding Element	PBT UL94 V0


Approvals

VDE-Approval, VDE-REG.-Nr.	C024
UL File Number	E249137

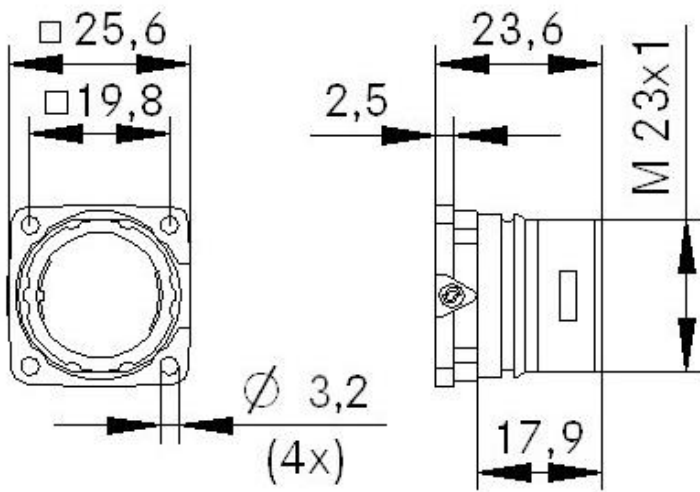
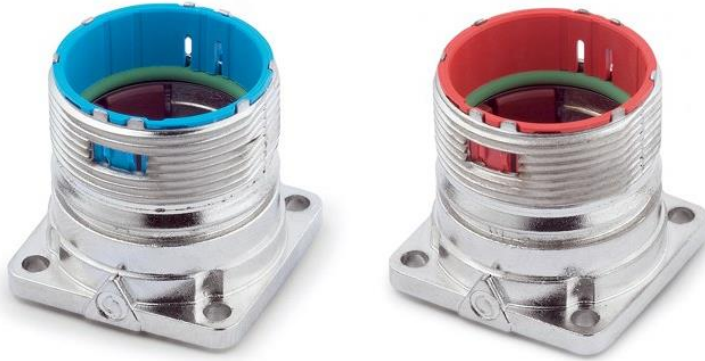
Standard

Safety Standard	IEC 61984, UL 2238, CSA 22.2 182.3
-----------------	------------------------------------

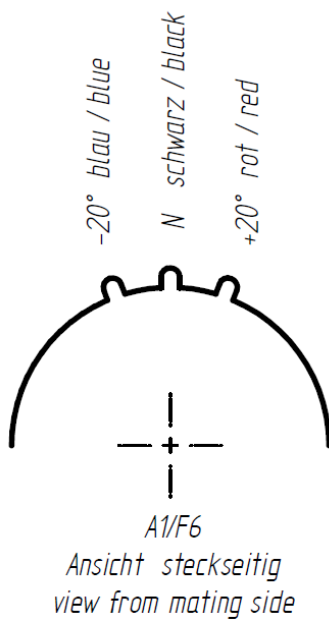
Creator: MANA2/PDP Released: IVSE1/PDP	Document: DB44420018EN Version: 04	Page 1 of 3
---	---------------------------------------	-------------

44420018	DATA SHEET	
Valid from: 30.06.2022	EPIC® SIGNAL M23 A1 D3,2	


Drawings



Coding



Creator: MANA2/PDP Released: IVSE1/PDP	Document: DB44420018EN Version: 04	Page 2 of 3
---	---------------------------------------	-------------

44420018	DATA SHEET	
Valid from: 30.06.2022	EPIC® SIGNAL M23 A1 D3,2	



Good chemical resistance



Industrial machinery and plant engineering



Robust



Waterproof



Wind energy



Variety of approval certifications

Info

Colour coding for easy connecting

Application range

Plant engineering
 Servo drives and Servo assemblies
 Measurement and control technology

Remark

Photographs are not to scale and do not represent detailed images of the respective products.

Creator: MANA2/PDP Released: IVSE1/PDP	Document: DB44420018EN Version: 04	Page 3 of 3
---	---------------------------------------	-------------