


52021259	DATA SHEET	
Valid from: 25.09.2019	SKINDICHT® SHV SEALING CONE	

The SKINDICHT® SHV FKM sealing cones for SKINDICHT® cable glands are suitable for high temperatures and resistant against oils, solvents, acids and chemicals. The SKINDICHT® SHV CR are resistant against oil, dust and water.



Technical features SKINDICHT® SHV FKM:

Material	FKM
Temperature range	-20 °C up to +200 °C
Colour	Red


Technical features SKINDICHT® SHV CR:

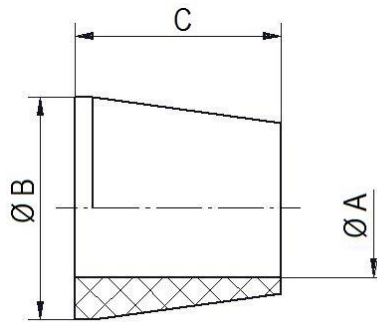
Material	CR
Temperature range	-20 °C up to +80 °C
Colour	Black

Norm references:



Creator: M. Wegerer /PDP Released: DAMU1/PDP	Document: DB52021259EN Version: 04	Page 1 of 2
---	---------------------------------------	-------------

52021259	DATA SHEET	
Valid from: 25.09.2019	SKINDICHT® SHV SEALING CONE	



SKINDICHT® SHV FKM

Article designation	Ø A [mm]	Ø B [mm]	C [mm]	Article No.
7/5	5	11,2	13,8	52021259
9/6	6	13,8	14,8	52021146
9/7	7	13,8	14,8	52021261
11/7	7	17,1	17,5	52021262
11/9	9	17,1	17,5	52021263
13,5/9	9	18,9	18,5	52021271
13,5/11	11	18,9	18,5	52021272
16/13	13	21	19,5	52021265
16/15	15	21	19,5	52021269
21/18	18	26,5	19,8	52021268
21/20	20	26,5	19,8	52021266
29/22	22	35,2	24	52021267

SKINDICHT® SHV CR

Article designation	Ø A [mm]	Ø B [mm]	C [mm]	Article No.
7/5	5	11,2	13,8	52021120
9/6	6	13,8	14,8	52021130
9/7	7	13,8	14,8	52021140
11/7	7	17,1	17,5	52021150
11/9	9	17,1	17	52021160
13,5/9	9	18,9	18,5	52021180
13,5/11	11	18,9	18,5	52021170
16/11	11	21	19,5	52021190
16/13	13	21	19,5	52021200
16/15	15	21	19,5	52021210
21/16	16	26,5	19,8	52024460
21/18	18	26,5	19,8	52021220
21/20	20	26,5	19,8	52021230
29/22	22	35,2	24	52021240
29/24	24	35,2	24	52021250
29/26	26	35,2	24	52021260

For more information please see our current catalogue. Please do not hesitate to contact our laboratory if there are any questions regarding resistance against aggressive agents and special oil.

Creator: M. Wegerer /PDP Released: DAMU1/PDP	Document: DB52021259EN Version: 04	Page 2 of 2
---	---------------------------------------	-------------