

52010400	<b>DATA SHEET</b>	
Valid from: 03.07.2018	<b>SKINDICHT® SHVE</b>	

The SKINDICHT® SHVE is an easy-to-assemble earthing gland for screened cables. With the special earthing bush the cable screen is connected safely. A special neoprene conical seal prevents the penetration of dust, moisture and oil. Tapered special sealing elements ensure high strain relief complied with good compressive strength at the insert when properly used. To prevent cables from lacing the sealing space is large. This guarantees long life and compliance with the highest standards.



### Components:

Gland body	Brass, nickel-plated
Pressure screw	Brass, nickel-plated
Sealing cone	CR
Pressure cone	Brass, nickel-plated
Earthing sleeve	Brass, bright
O-ring	NBR

### Technical features:

Connecting thread	PG9 up to PG29 acc. to DIN 40430
Protection class	IP65 up to IP68 acc. to EN 60529
Temperature range	-20 °C up to +80 °C

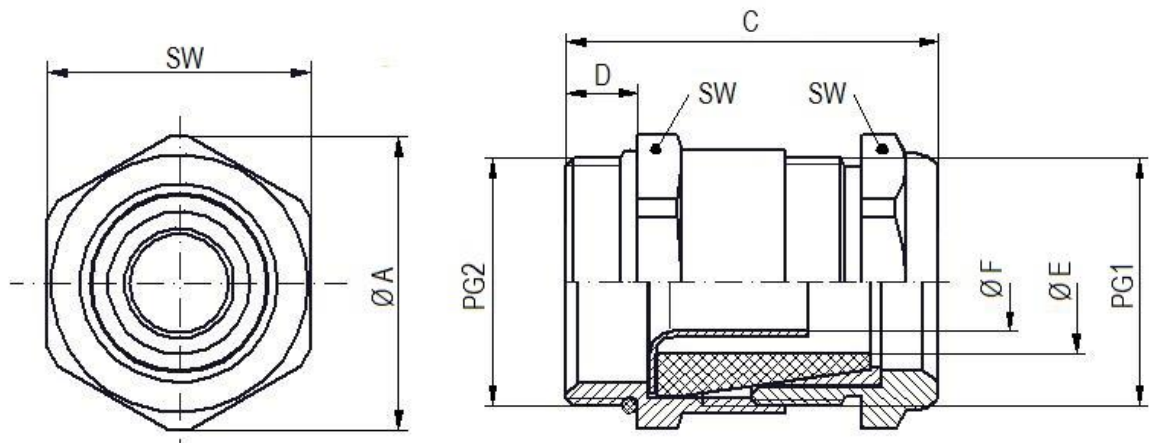
### Norm references:



If required there is a report available regarding an EMV test of 10 KHz to 400 MHz frequency range.

Creator: T. Dvoulety /PDP Released: DAMU1/PDP	Document: DB52010400EN Version: 03	Page 1 of 3
--	---------------------------------------	-------------

52010400	<b>DATA SHEET</b>	
Valid from: 03.07.2018	<b>SKINDICHT® SHVE</b>	



PG1	PG2	SW [mm]	Ø A [mm]	C [mm] max.	D [mm]	Ø E [mm] Clamping range	Ø [mm] Inner sheath	Ø F [mm]	Article No.
PG9	PG9	17	18,9	28,5	5,5	4-5,8	2,2-3,2	3,2	52010400
PG9	PG9	17	18,9	28,5	5,5	5-6,8	2,2-3,2	3,2	52010405
PG9	PG9	17	18,9	28,5	5,5	4-5,8	2,6-3,6	3,6	52010415
PG9	PG9	17	18,9	28,5	5,5	5-6,8	2,6-3,6	3,6	52010420
PG11	PG11	20	22,2	31,0	5,5	5-6,8	3,5-4,5	4,5	52010440
PG11	PG11	20	22,2	31,0	5,5	6,8-8,8	3,5-4,5	4,5	52010450
PG13,5	PG9	22	24,4	32,5	5,5	6,8-8,8	3,5-5	5	52010460
PG13,5	PG11	22	24,4	32,5	5,5	6,8-8,8	3,5-5	5	52010490
PG13,5	PG13,5	22	24,4	37,0	6,0	6,8-8,8	3,5-5	5	52005070
PG13,5	PG9	22	24,4	32,5	5,5	6,8-8,8	4,5-6	6	52010470
PG13,5	PG11	22	24,4	32,5	5,5	6,8-8,8	4,5-6	6	52015000
PG13,5	PG13,5	22	24,4	37,0	6,0	6,8-8,8	4,5-6	6	52005080
PG13,5	PG9	22	24,4	32,5	5,5	8,5-10,8	5,5-7	7	52010480
PG13,5	PG11	22	24,4	32,5	5,5	8,5-10,8	5,5-7	7	52010510
PG13,5	PG13,5	22	24,4	37,0	6,0	8,5-10,8	5,5-7	7	52005090
PG16	PG11	24	26,7	35,0	5,5	8,5-10,8	6-8	8	52010520
PG16	PG13,5	24	26,7	35,5	6,0	8,5-10,8	6-8	8	52010560
PG16	PG16	24	26,7	37,5	6,0	8,5-10,8	6-8	8	52005100
PG16	PG11	24	26,7	35,0	5,5	10,8-12,8	7-9	9	52010530
PG16	PG13,5	24	26,7	35,5	6,0	10,8-12,8	7-9	9	52010570
PG16	PG16	24	26,7	37,5	6,0	10,8-12,8	7-9	9	52005110
PG16	PG11	24	26,7	35,0	5,5	10,8-12,8	8-10	10	52010540
PG16	PG13,5	24	26,7	35,5	6,0	10,8-12,8	8-10	10	52010580
PG16	PG16	24	26,7	37,5	6,0	10,8-12,8	8-10	10	52005120
PG16	PG11	24	26,7	35,0	5,5	12-14,8	9-11	11	52010550
PG16	PG13,5	24	26,7	35,5	6,0	12-14,8	9-11	11	52010590
PG16	PG16	24	26,7	37,5	6,0	12-14,8	9-11	11	52005130

52010400	<b>DATA SHEET</b>	
Valid from: 03.07.2018	<b>SKINDICHT® SHVE</b>	

PG1	PG2	SW [mm]	Ø A [mm]	C [mm] max.	D [mm]	Ø E [mm] Clamping range	Ø [mm] Inner sheath	Ø F [mm]	Article No.
PG21	PG16	30	33,5	38,5	6,5	14-15,8	10-12	12	52010600
PG21	PG21	30	33,5	43,5	7,0	14-15,8	10-12	12	52005140
PG21	PG16	30	33,5	38,5	6,5	14-15,8	11-13	13	52010610
PG21	PG21	30	33,5	43,5	7,0	14-15,8	11-13	13	52005150
PG21	PG16	30	33,5	38,5	6,5	15,8-17,8	12-14	14	52010620
PG21	PG21	30	33,5	43,5	7,0	15,8-17,8	12-14	14	52005160
PG21	PG16	30	33,5	38,5	6,5	15,8-17,8	13-15	15	52010630
PG21	PG21	30	33,5	43,5	7,0	15,8-17,8	13-15	15	52005170
PG21	PG16	30	33,5	38,5	6,5	17,5-19,8	14-16	16	52010640
PG21	PG21	30	33,5	43,5	7,0	17,5-19,8	14-16	16	52005180
PG29	PG29	40	43,5	47,5	8,0	19,5-21,8	15-17	17	52005190
PG29	PG29	40	43,5	47,5	8,0	19,5-21,8	16-18	18	52005200
PG29	PG29	40	43,5	47,5	8,0	21,5-23,8	17-19	19	52005210
PG29	PG29	40	43,5	47,5	8,0	23,5-25,8	17-19	19	52005240

For more information please see our current catalogue. Please do not hesitate to contact our laboratory if there are any questions regarding resistance against aggressive agents and special oil.

Creator: T. Dvoulety /PDP Released: DAMU1/PDP	Document: DB52010400EN Version: 03	Page 3 of 3
--	---------------------------------------	-------------