


52005590	DATA SHEET	
Valid from: 03.07.2018	SKINDICHT® SHZ / SHZ-XL	

The SKINDICHT® SHZ / SHZ-XL are a compact brass gland for stable strain relief with single cleat and centre section. Sealing is achieved by a recessed sealing ring and an O-ring fitted onto the connecting thread. This cable gland is particularly suitable for use in plugs, switches and control panels and is corrosion and seawater-resistant.

The SKINDICHT® SHZ-M-XL is constructed identically as SKINDICHT® SHZ-M, but with long connecting thread.



Components:

Gland body	Brass, nickel-plated
Pressure screw with single clamp	Brass, nickel-plated
Incised sealing ring	CR
Pressure washers	Steel, zinc-plated
O-ring	NBR


Technical features:

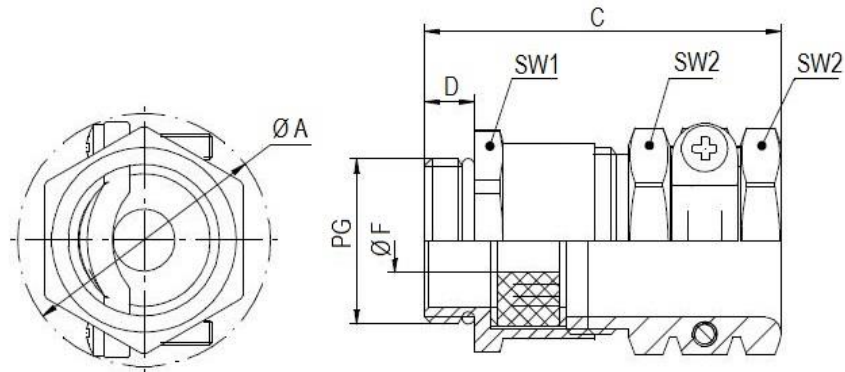
Connecting thread	PG7 up to PG48 acc. to DIN 40430
Protection class	IP55 acc. to EN 60529
Temperature range	-20 °C up to +80 °C

Norm references:



Creator: T. Dvoulety /PDP Released: DAMU1/PDP	Document: DB52005590EN Version: 03	Page 1 of 2
--	---------------------------------------	-------------

52005590	DATA SHEET	
Valid from: 03.07.2018	SKINDICHT® SHZ / SHZ-XL	



SKINDICHT® SHZ

PG	SW1 [mm]	SW2 [mm]	Ø A [mm]	C [mm] max.	D [mm]	Ø F [mm] incised sealing ring	O-Ring [mm]	Article No.
PG7	14	15	24	30	5,0	5	10x1,5	52005590
PG9	17	17	28	34	6,0	5/8	13x1,5	52005600
PG11	20	20	30	35	6,0	7/10/12,5	16x1,5	52000930
PG13,5	22	22	34	40	6,5	7/10,5/13/16	18x1,5	52000940
PG16	24	24	36	42	6,5	8/10,5/13,5/16	20x1,5	52000950
PG21	30	30	46	47	7,0	11/15/18/20	26x2	52000960
PG29	40	41	59	53	8,0	19/23/27/31	34x2	52000970
PG36	50	50	73	61	9,0	25/28/31/35	44x2	52000980
PG42	57	57	79	66	10,0	35,5/39/42,5/46	50x2	52005610
PG48	64	64	87	68	10,0	40,5/44/47/50,5	55x2	52005620

SKINDICHT® SHZ-XL

PG	SW1 [mm]	SW2 [mm]	Ø A [mm]	C [mm] max.	D [mm]	Ø F [mm] incised sealing ring	O-Ring [mm]	Article No.
PG7	14	15	24	40,0	15	5	10x1,5	52023716
PG9	17	17	28	43,0	15	5/8	13x1,5	52023717
PG11	20	20	30	44,0	15	7/10/12,5	16x1,5	52023718
PG13,5	22	22	34	48,5	15	7/10,5/13/16	18x1,5	52023719
PG16	24	24	36	50,5	15	8/10,5/13,5/16	20x1,5	52023720
PG21	30	30	46	55,0	15	11/15/18/20	26x2	52024840
PG29	40	41	59	60,0	15	19/23/27/31	34x2	52025530
PG36	50	50	73	67,0	15	25/28/31/35	44x2	52023721
PG42	57	57	79	71,0	15	35,5/39/42,5/46	50x2	52023722
PG48	64	64	87	73,0	15	40,5/44/47/50,5	55x2	52023723

For more information please see our current catalogue. Please do not hesitate to contact our laboratory if there are any questions regarding resistance against aggressive agents and special oil.

Creator: T. Dvoulety /PDP Released: DAMU1/PDP	Document: DB52005590EN Version: 03	Page 2 of 2
--	---------------------------------------	-------------