


52004280	DATA SHEET	
Valid from: 03.07.2018	SKINDICHT® SKZ / SKZ-XL	

The SKINDICHT® SKZ is a saddle clamp strain relief cable gland for row applications. The arrangement of the saddle clamps provides a wide clamping range with central cable clamping. The seal is achieved by a recessed sealing ring and an O-ring fitted onto the connecting thread. This cable gland is particularly suitable for use in plugs, switches and control panels.

The SKINDICHT® SKZ-XL is similar to the SKINDICHT® SKZ, but has an extended connection thread for thick walls.



Components:

Gland body	Brass, nickel-plated
Pressure screw with double clamp	Brass, nickel-plated
Incised sealing ring	CR
O-ring	NBR

Technical features:

Connecting thread	PG9 up to PG29 acc. to DIN 40430
Protection class	IP55 acc. to EN 60529
Temperature range	-20°C up to +80°C


Norm references:

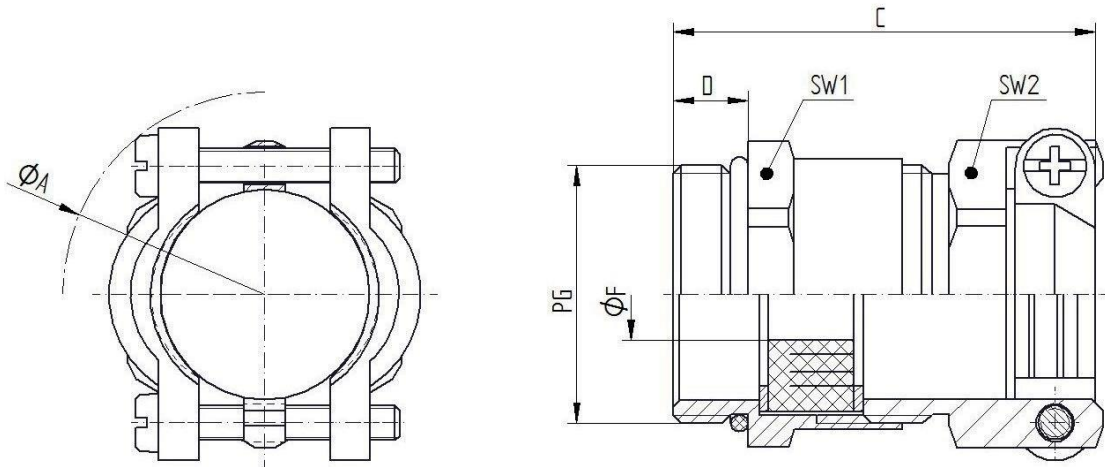


Note:

Counter nut to be used: SKINDICHT® SM
For additional accessories see SKINDICHT® EV

Creator: M. Jurak /PDP Released: DAMU1/PDP	Document: DB52004280EN Version: 04	Page 1 of 2
---	---------------------------------------	-------------

52004280	DATA SHEET	
Valid from: 03.07.2018	SKINDICHT® SKZ / SKZ-XL	



SKINDICHT® SKZ

PG	SW1 [mm]	SW2 [mm]	Ø A [mm]	C [mm]		D [mm]	Ø F [mm] incised sealing ring	Article No.
				min.	max.			
PG9	17	17	28	27	30	6	5/8	52004280
PG11	20	20	30	27	30	6	7/10/12,5	52004290
PG13,5	22	22	34	30	34	6,5	7/10,5/13/16	52004300
PG16	24	24	36	31	35	6,5	8/10,5/13,5/16	52004310
PG21	30	30	46	37	41	7	11/15/18/20	52004320
PG29	40	41	58	42	46	8	19/23/27/31	52005570

SKINDICHT® SKZ-XL

PG	SW1 [mm]	SW2 [mm]	Ø A [mm]	C [mm]		D [mm]	Ø F [mm] incised sealing ring	Article No.
				min.	max.			
PG9	17	17	28	36	39	15	5/8	52005575
PG11	20	20	30	36	39	15	7/10/12,5	52005576
PG13,5	22	22	34	38,5	42,5	15	7/10,5/13/16	52005577
PG16	24	24	36	39,5	43,5	15	8/10,5/13,5/16	54000043
PG21	30	30	46	45	49	15	11/15/18/20	54000011
PG29	40	41	58	49	53	15	19/23/27/31	54000098

For more information please see our current catalogue. Please do not hesitate to contact our laboratory if there are any questions regarding resistance against aggressive agents and special oil.

Creator: M. Jurak /PDP Released: DAMU1/PDP	Document: DB52004280EN Version: 04	Page 2 of 2
---	---------------------------------------	-------------