

52010780	<b>DATA SHEET</b>	
Valid from: 03.07.2018	<b>SKINDICHT® SRE</b>	

The SKINDICHT® SRE is a special cable gland for screened cables. The earthing sleeve pushed under the braiding ensures a reliable functional earthing and EMC compliance. The neoprene sleeve guarantees sealing and kink protection, the cleat provides reliable strain relief.



### Components:

Gland body	Brass, nickel-plated
Pressure screw with clamp	Brass, nickel-plated
Protective rubber sleeve	CR / NBR
Earthing sleeve	Brass, bright
O-ring	NBR

### Technical features:

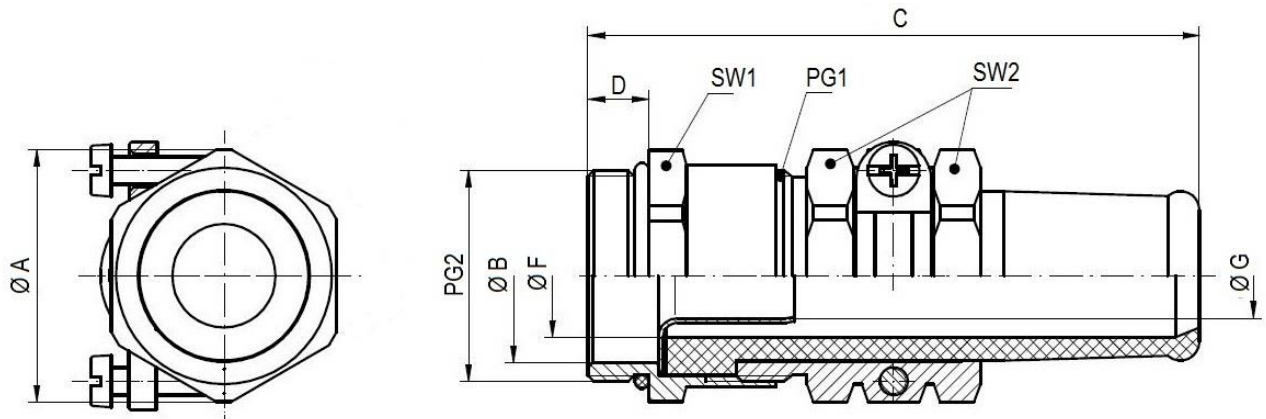
Connecting thread	PG9 up to PG36 acc. to DIN 40430
Functional thread	PG9 up to PG36 acc. to DIN 40430
Protection class	IP65 acc. to EN 60529
Temperature range	-20 °C up to +80 °C

### Norm references:



Creator: T. Dvoulety /PDP Released: DAMU1/PDP	Document: DB52010780EN Version: 04	Page 1 of 3
--	---------------------------------------	-------------

52010780	<b>DATA SHEET</b>	
Valid from: 03.07.2018	<b>SKINDICHT® SRE</b>	



PG1	PG2	SW1 / SW2 [mm]	Ø A [mm]	Ø B [mm]	C [mm]	D [mm]	Ø G [mm]	Ø F [mm] Clamping range	Ø [mm] Cable inner sheath	Article No.
PG13,5	PG9	22 / 22	24,4	12,5	60	5,5	6	7,5 - 9	4,5 - 6	52010780
PG13,5	PG9	22 / 22	24,4	12,5	60	5,5	7	9 - 11	5,5 - 7	52010790
PG13,5	PG11	22 / 22	24,4	15,0	60	5,5	6	7,5 - 9	4,5 - 6	52010800
PG13,5	PG11	22 / 22	24,4	15,0	60	5,5	7	9 - 11	5,5 - 7	52010810
PG13,5	PG13,5	22 / 22	24,4	17,0	60	6,0	6	7,5 - 9	4,5 - 6	52005310
PG13,5	PG13,5	22 / 22	24,4	17,0	60	6,0	7	9 - 11	5,5 - 7	52005320
PG16	PG11	24 / 24	26,8	15,0	65	5,5	9	11 - 13	7 - 9	52010820
PG16	PG11	24 / 24	26,8	15,0	65	5,5	10	11 - 13	8 - 10	52010830
PG16	PG11	24 / 24	26,8	15,0	65	5,5	11	13 - 15	9 - 11	52010840
PG16	PG13,5	24 / 24	26,8	17,0	67	6,0	9	11 - 13	7 - 9	52010850
PG16	PG13,5	24 / 24	26,8	17,0	67	6,0	10	11 - 13	8 - 10	52010860
PG16	PG13,5	24 / 24	26,8	17,0	67	6,0	11	13 - 15	9 - 11	52010870
PG16	PG16	24 / 24	26,8	18,5	65	6,5	9	11 - 13	7 - 9	52005330
PG16	PG16	24 / 24	26,8	18,5	65	6,5	10	11 - 13	8 - 10	52005340
PG16	PG16	24 / 24	26,8	18,5	65	6,5	11	13,5 - 15	9 - 11	52005350
PG21	PG16	30 / 30	33,5	18,5	78	6,5	15,0	13,5 - 15	10 - 12	52010880
PG21	PG16	30 / 30	33,5	18,5	78	6,5	16,0	15 - 17	12 - 14	52010890
PG21	PG16	30 / 30	33,5	18,5	78	6,5	17,0	17 - 19	13 - 15	52010900
PG21	PG16	30 / 30	33,5	18,5	78	6,5	19,0	18 - 20	14 - 16	52010910
PG21	PG21	30 / 30	33,5	24	78	7,0	22,0	13 - 15	10 - 12	52005360
PG21	PG21	30 / 30	33,5	24	78	7,0	24,0	15 - 17	12 - 14	52005370
PG21	PG21	30 / 30	33,5	24	78	7,0	28,0	17 - 19	13 - 15	52005380
PG21	PG21	30 / 30	33,5	24	78	7,0	30,0	18 - 20	14 - 16	52005390

52010780	<b>DATA SHEET</b>	
Valid from: 03.07.2018	<b>SKINDICHT® SRE</b>	

PG1	PG2	SW1 / SW2 [mm]	Ø A [mm]	Ø B [mm]	C [mm]	D [mm]	Ø G [mm]	Ø F [mm] Clamping range	Ø [mm] Cable inner sheath	Article No.
PG29	PG29	40 / 41	45,7	32	90	8,0	17	18 - 20	15 - 17	52005400
PG29	PG29	40 / 41	45,7	32	90	8,0	19	21 - 23	17 - 19	52005410
PG36	PG36	50 / 50	55,6	42	109	9,0	22	23,5 - 26	20 - 22	52005411
PG36	PG36	50 / 50	55,6	42	109	9,0	24	27 - 30	22 - 24	52005412
PG36	PG36	50 / 50	55,6	42	109	9,0	26	27 - 30	24 - 26	52003585
PG36	PG36	50 / 50	55,6	42	109	9,0	28	30 - 33	26 - 28	52005414
PG36	PG36	50 / 50	55,6	42	109	9,0	30	32 - 35	28 - 30	52003586

For more information please see our current catalogue. Please do not hesitate to contact our laboratory if there are any questions regarding resistance against aggressive agents and special oil.

Creator: T. Dvoulety /PDP Released: DAMU1/PDP	Document: DB52010780EN Version: 04	Page 3 of 3
--	---------------------------------------	-------------