

52004130	<b>DATA SHEET</b>	
Valid from: 03.07.2018	<b>SKINDICHT® SE</b>	

The SKINDICHT® SE flange angular cable gland is characterised by design, exceptionally low overall height and stability. It can be securely and shortly installed with only two or four fixing holes. The recessed Perbunan® O-ring guarantees a strong seal between the housing and the gland. The die cast zinc material is resistant against tropical conditions and corrosion, even in combination with grey cast iron or steel.

The SKINDICHT® SE can be combined with all special cable glands in our range such as sealing-, strain relieve-, bending protection-, conduit connection- or earthing glands. The protection class depends on the special glands which are combined, but the standard version is at least IP55.



### Components:

Angular housing	Zinc die-casting, grey, hammer-tone enamelled
Pressure washer	Steel, zinc-plated
Pressure screw	Brass, nickel-plated
Incised sealing ring	CR
Sleeve	PE
O-Ring	NBR

### Technical Features:

Connecting thread	PG16 up to PG36 acc. to DIN 40430
Temperature range	-20 °C up to +80 °C
Protection class	IP55 acc. to EN 60529
Surface	structured finish, colour RAL 7001

### Norm references:

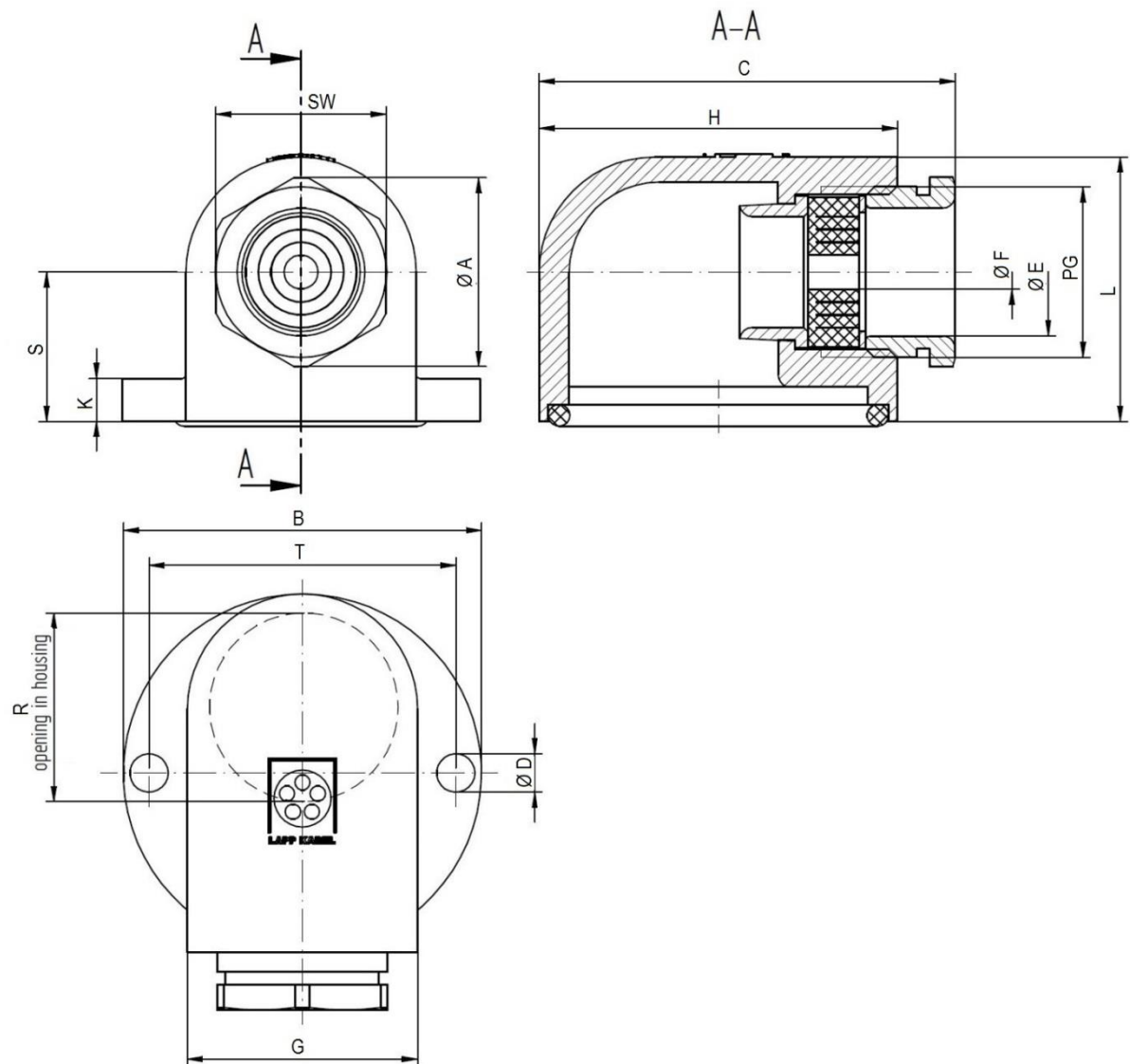


Creator: T. Dvoulety /PDP Released: DAMU1/PDP	Document: DB52004130EN Version: 02	Page 1 of 3
--	---------------------------------------	-------------

52004130	<b>DATA SHEET</b>	
Valid from: 03.07.2018	<b>SKINDICHT® SE</b>	

**SKINDICHT® SE PG16**

**SKINDICHT® SE PG21**



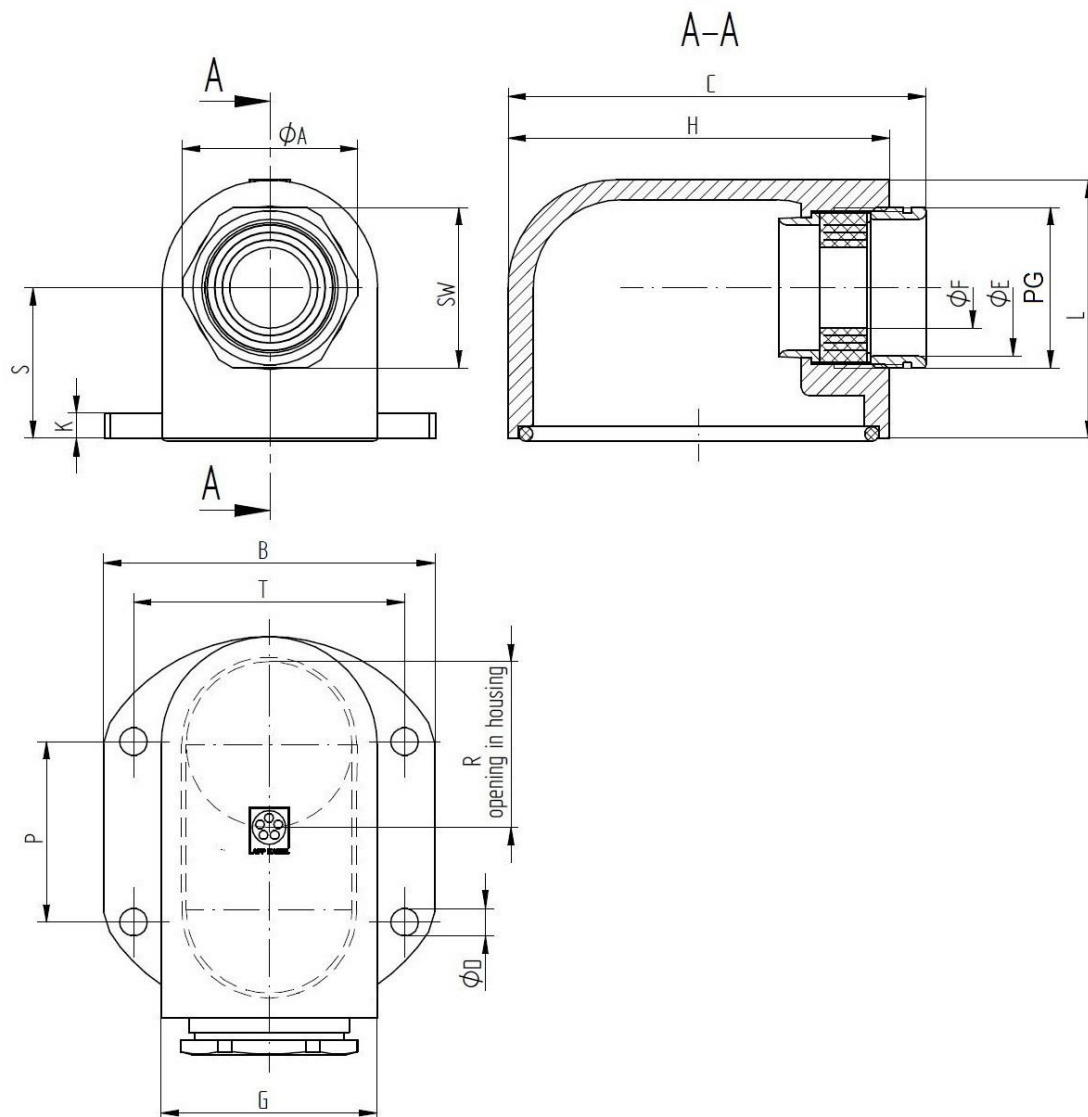
PG	SW	ØA	B	C	ØD	ØE	ØF	G	H	K	L	R	S	T	Article No.
PG16	22	24,4	42	49,2	4,5	18,5	8 / 10,5 / 13,5 / 16	27	42	5	31	21	17,5	36,0	52004130
PG21	28	31,2	60	68,1	5,2	24,0	11 / 15 / 18 / 20	35	60	7	40	27	22,5	52,5	52004140

Dimension units: **mm**

52004130	<b>DATA SHEET</b>	
Valid from: 03.07.2018	<b>SKINDICHT® SE</b>	

**SKINDICHT® SE PG29**

**SKINDICHT® SE PG36**



PG	SW	ØA	B	C	ØD	ØE	ØF	G	H	K	L	P	R	S	T	Article No.
PG29	37	41,0	66	83,6	5,5	32	19 / 23 / 27 / 31	43	76	5	51,5	36	36	30	54	52005430
PG36	47	50,5	85	99,6	5,5	42	25 / 28 / 31 / 35	54	90	10	62,0	30	44	35	73	52004150

Dimension units: **mm**

For more information please see our current catalogue. Please do not hesitate to contact our laboratory if there are any questions regarding resistance against aggressive agents and special oil.

Creator: T. Dvoutely /PDP Released: DAMU1/PDP	Document: DB52004130EN Version: 02	Page 3 of 3
--	---------------------------------------	-------------