

52003490	DATA SHEET	
Valid from: 21.10.2022	SKINDICHT® SM	

The SKINDICHT® SM is a nickel-plated brass locknut with PG-thread. It is required wherever a gland must be secured or thin housing walls allow only through-holes.

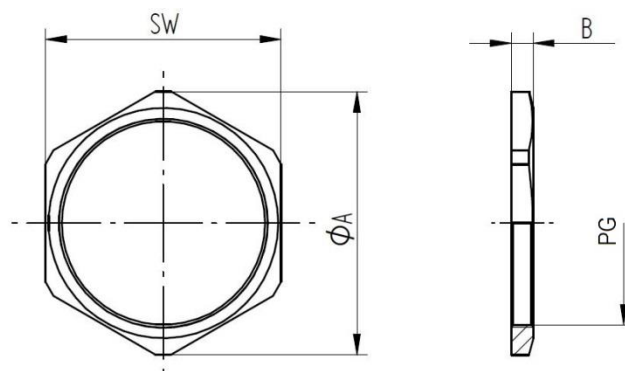


Technical features:

Size	PG7 up to PG48, thread acc. to DIN 40430
Material	Brass, nickel plated Brass Lead Free, nickel plated
Temperature range	-60°C up to +200°C



Norm references:



Thread PG	Wrench Size SW mm	Diameter Ø A mm	Thickness B mm	Article No.	
				Brass	Brass Lead Free
PG 7	15	16,6	2,8	52003490	52003490LF
PG 9	18	20	2,8	52003500	52003500LF
PG 11	21	23,5	3	52003510	52003510LF
PG 13,5	23	25,5	3	52003520	52003520LF
PG 16	26	29	3	52003530	52003530LF
PG 21	32	35,5	3,5	52003540	-
PG 29	41	45	3,5	52003550	-
PG 36	51	56	5	52003560	-
PG 42	60	65	5	52003570	-
PG 48	64	69	5,5	52003580	-

For more information please see our current catalogue. Please do not hesitate to contact our laboratory if there are any questions regarding resistance against aggressive agents and special oil.

Creator: MAU1 /PDP Released: DAMU1/PDP	Document: DB52003490EN Version: 05	Page 1 of 1
---	---------------------------------------	-------------